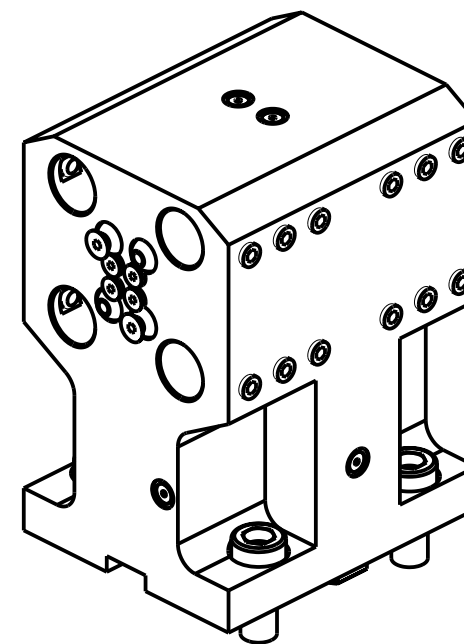


DOTAZIONI - SUPPLIED WITH - AUSSTATTUNG

mm	N°5 Boccole - Bushings - Buchsen \varnothing 16-12-10-8-6
	N°1 ER16 Portapinza - Collet holder - Zangenhalter
	N°1 ER25 Portapinza - Collet holder - Zangenhalter
inch	N°3 Boccole - Bushings - Buchsen \varnothing 1/2"-3/8"-1/4"
	N°1 ER16 Portapinza - Collet holder - Zangenhalter
	N°1 ER25 Portapinza - Collet holder - Zangenhalter



Cod. MT	N°Utensili N°Tools N°Werkzeuge	Reversibile lato mandrino/contromandrino Reversible sub/main spindle side Umkehrbare Spindel-seite/ Gegenspindel-seite	Lubrificazione est. Ext. coolant Aussenkuehlung	Misure Dimensions Masse	D	H
DW00632000	4+4	X	X	mm	20	48
DW00631905	4+4	X	X	Inch	3/4"	1 7/8"

YCM
 MOD: BTX250SY - NT2000/2500 12 STAZIONI
 PORTAUTENSILE ASSIALE PER BARENO 4+4 POSIZIONI \varnothing 20mm/ \varnothing 3/4"
 Axial 4+4 position boring bar holder \varnothing 20mm/ \varnothing 3/4"
 Axial Bohrhalter 4+4 Positionen \varnothing 20mm/ \varnothing 3/4"

M.T. srl
 Via Casino Albini 480
 Tel. 0541/956034-957884
 Fax 0541/956341
 47842 S. GIOVANNI IN M. (RN)
 e-mail: mtma@mtmarchetti.com
 http://www.mtmarchetti.com



YCM924-2-00

Subject to change without notice.

03/2024