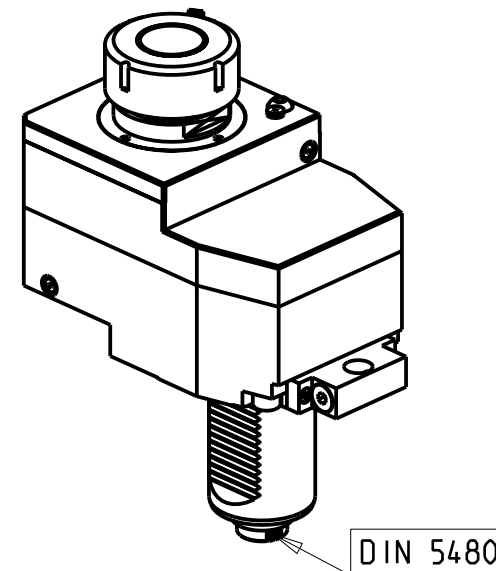
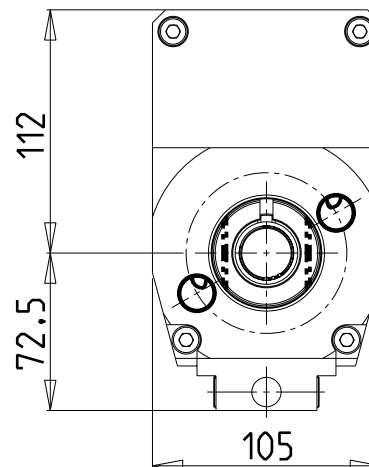


versione universale
universal version
universal version

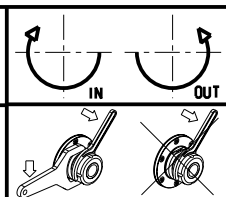


- Chiave inclusa
- Key included
- Schlüssel inbegriffen

Cod. MT	Mandrino Spindle Spindel	I	RPM	Coppia Max Max Torque Max Drehmoment	Lubrificazione est. Ext. coolant Auslenkuehlung	Reversibile lato mandrino/contromandrino Reversible sub/main spindle side Umkehrbare Spindel-seite/ Gegenspindel-seite	A	A1	A2	ØD	L	CHIAVI NON INCLUDE Keys not included Schlüssel nicht einbegriffen	
SAU0281125	ERA25	1:1	6000	100Nm	X	X	144.16	-	-	-	-	CHUB46	CHUB27
SAU0281132	ERA32	1:1	6000	100Nm	X	X	115.8	-	-	-	-	CHUB46	CHUB32
SAU0280140	ER40	1:1	6000	100Nm	X	X	122.5	-	-	-	-	CHUB46	CHSTER40
SAU0282122	Ø22x19	1:1	6000	100Nm	X	X	-	116.5	-	22	19	CHUB46	CH_VTCROCE_M10
SAU0283125	WELDON 25	1:1	6000	100Nm	X	X	-	-	137.5	-	-		

SAUTER
VDI 50

MODULO MOTORIZZATO ASSIALE DISASSATO 60mm VDI50 DIN 5480
Axial driven tool re-directed by 60mm VDI50 DIN 5480
Axial angetriebenes Werkzeug achsversetzt um 60mm VDI50 DIN 5480



M.T. srl
Via Casino Albini 480
Tel. 0541/956034-957884
Fax 0541/956341
47842 S. GIOVANNI IN M. (RN)
e-mail: mtma@mtmarchetti.com
http://www.mtmarchetti.com



SAU017-4-05

Subject to change without notice.