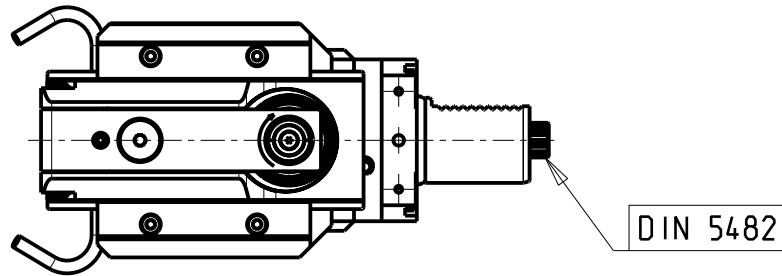
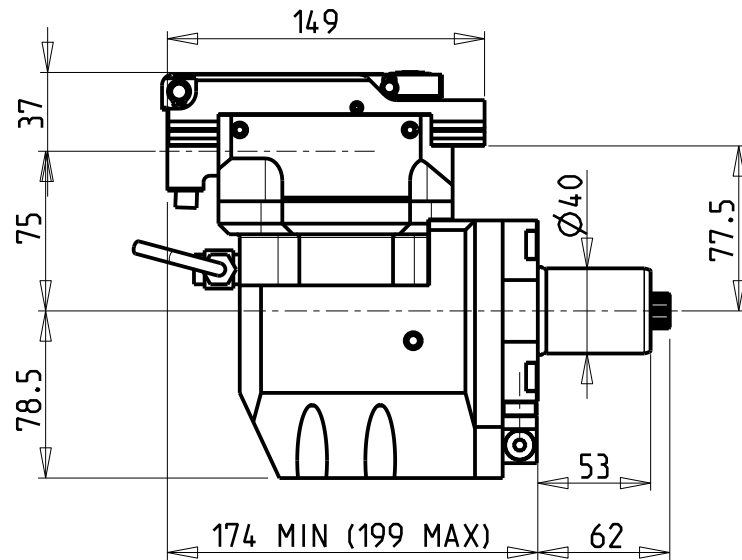
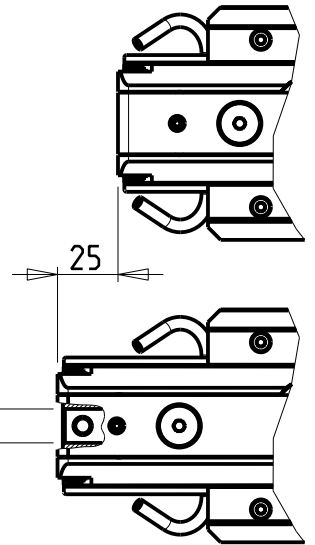
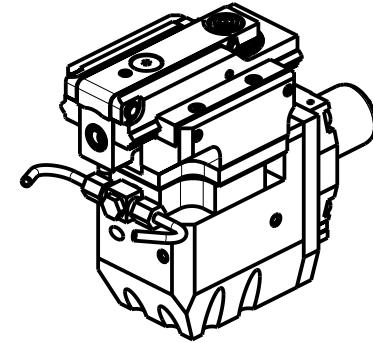
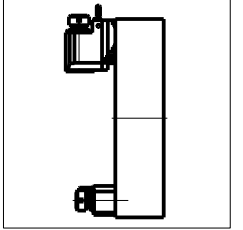


versione sx
left version
version links

versione dx
right version
version rechts



TORRETTE ASSIALI
AXIAL TURRETS
AXIAL REVOLVER



DOTAZIONI - SUPPLIED WITH - AUSSTATTUNG

N*1 Boccola di riduz. $\varnothing 16-\varnothing 12$ e N*1 Boccola di riduz. $\varnothing 16-\varnothing 10$
 N*1 Reduction bush $\varnothing 16-\varnothing 12$ and N*1 Reduction bush $\varnothing 16-\varnothing 10$
 N*1 Reduzierbuchsen $\varnothing 16-\varnothing 12$ und N*1 Reduzierbuchsen $\varnothing 16-\varnothing 10$

PER UTENSILI STOZZATORI VEDI PAG. TBL400-1-00
 FOR DRIVEN SLOTTING TOOL CUTTING-TOOLS SEE PAGE TBL400-1-00
 FÜR NUTENSTOSS-WERKZEUG SCHNEIDWERKZEUGE SIEHE SEITE TBL400-1-00

Cod. MT		I	RPM	Lubr. esterna Ext. coolant Aussenkuehlung
versione dx right version version rechts	versione sx left version version links			
SAU0740200	SAU0741200	4:1	2400	X

SAUTER
VDI 40

MODULO MOTORIZZATO STOZZATORE CORSA 25mm VDI40 DIN 5482
 Slotting driven tool 25mm stroke VDI40 DIN 5482
 Keilnutenstossmaschine 25mm Hub VDI40 DIN 5482

M.T. srl

Via Casino Albini 480
 Tel. 0541/956034-957884
 Fax 0541/956341
 47842 S. GIOVANNI IN M. (RN)
 e-mail: mtma@tmarchetti.com
 http://www.tmmarchetti.com



SAU360-3-81

Subject to change without notice.

09/2024