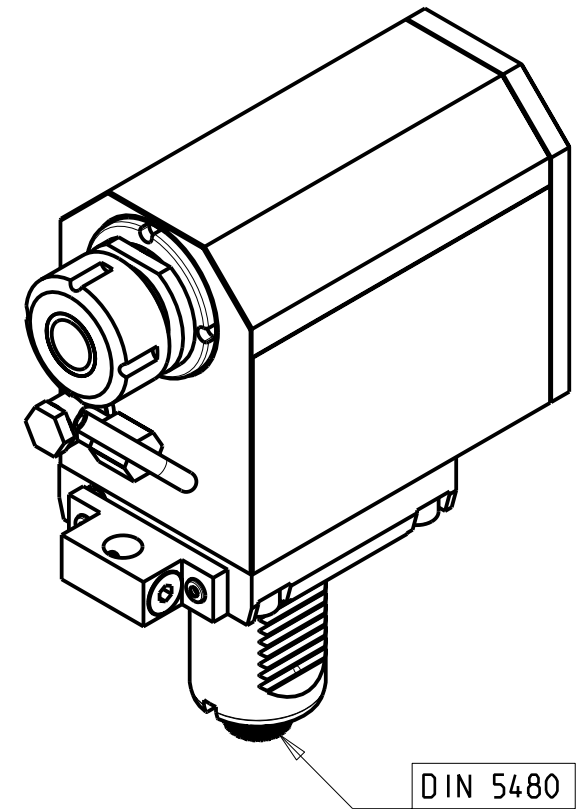
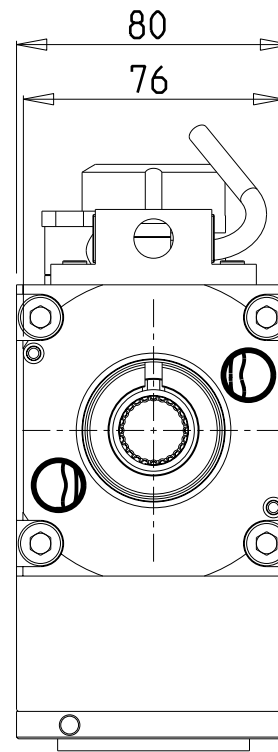
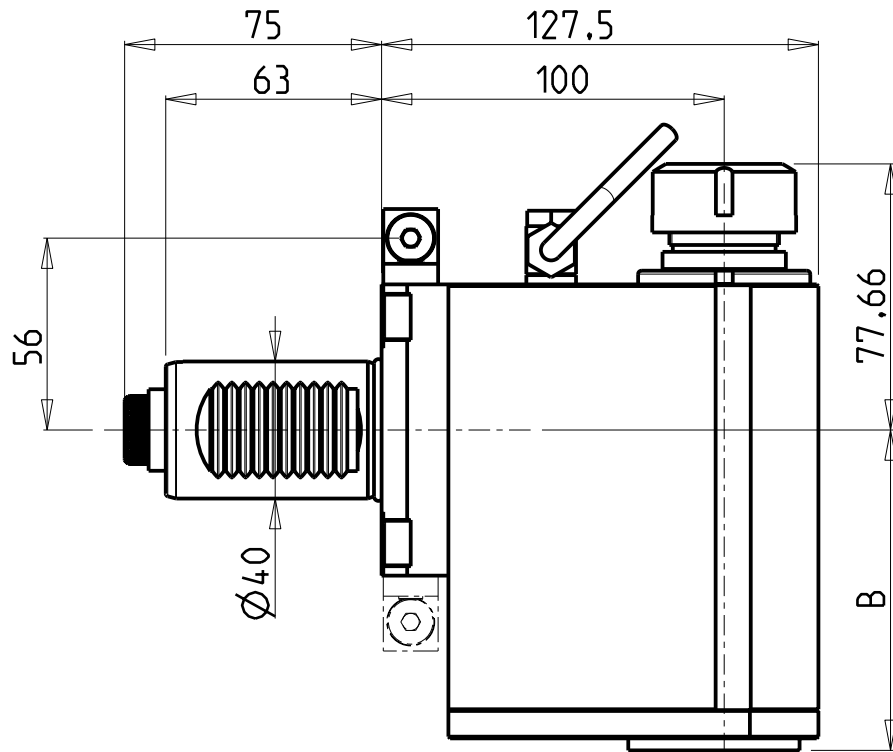


versione universale  
 universal version  
 universal version



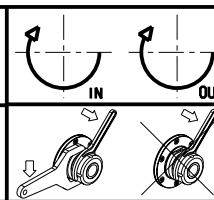
DIN 5480

Cod. MT	Mandrino Spindle Spindel	i	RPM MAX	Coppia Max Max Torque Max Drehmoment	Lubrificazione int. Coolant through Innenkuehlung	Lubrificazione est. Ext. coolant Aussenkuehlung	B	CHIAVI NON INCLUSE Keys not included Schluessel nicht einbegriffen	
SAU0310125	ER25	1:3	12000	40Nm		X	93.5	CHUB36	CHSTER25
SAU0310225	ER25	1:3	12000	40Nm	P=70bar	X	103.5	CHUB36	CHSTER25

SAUTER  
 VDI 40

MODULO MOTORIZZATO RADIALE MOLTIPLICATO I=1:3 VDI40 DIN 5480  
 Radial geared-up I=1:3 driven tool VDI40 DIN 5480  
 Radial angetriebenes Werkzeug uebersetzt I=1:3 VDI40 DIN 5480

Subject to change without notice.



**M.T. srl**  
 Via Casino Albini 480  
 Tel. 0541/956034-957884  
 Fax 0541/956341  
 47842 S. GIOVANNI IN M. (RN)  
 e-mail: mtma@mtmarchetti.com  
 http://www.mtmarchetti.com



SAU018-3-14