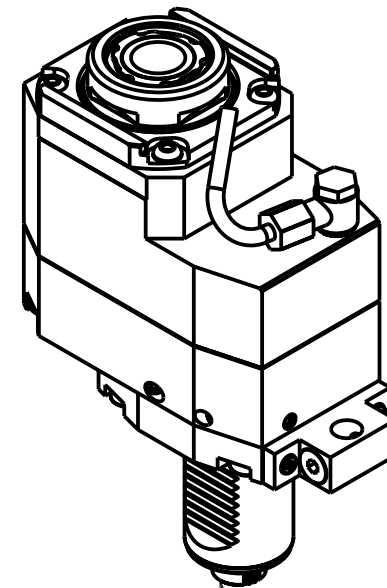
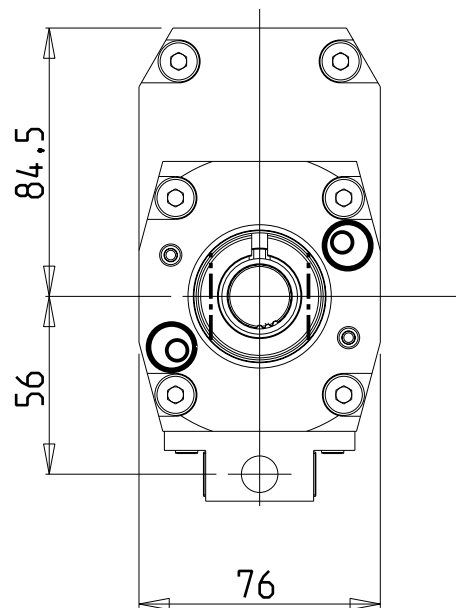


versione universale  
universal version  
universal version



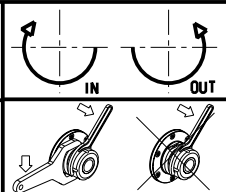
DIN 5480

- Chiave inclusa
- Key included
- Schluessel inbegriffen

Cod. MT	Mandrino Spindle Spindel	I	RPM	Coppia Max Max Torque Max Drehmoment	Lubrificazione int. Coolant through Innenkuehlung	Lubrificazione est. Ext. coolant Ausseinkuehlung	CHIAVI NON INCLUSE Keys not included Schluessel nicht einbegriffen		
SAU0918132	ERA32	1:2	12000	45Nm	-	X	C HUB30	CHTAER32ZC *	OKU0650004 *
SAU0918232	ERA32	1:2	12000	45Nm	P=70bar	X	C HUB30	CHTAER32ZC *	OKU0650004 *

SAUTER  
VDI 40

MODULO MOTORIZZATO ASSIALE MOLTIPLICATO I=1:2 DISASSATO 42mm VDI40 DIN 5480  
Axial geared-up I=1:2 driven tool re-directed by 42mm VDI40 DIN 5480  
Axial angetriebenes Werkzeug uebersetzt I=1:2 achsversetzt um 42mm VDI40 DIN 5480



**M.T. srl**  
Via Casino Albini 480  
Tel. 0541/956034-957884  
Fax 0541/956341  
47842 S. GIOVANNI IN M. (RN)  
e-mail: mtma@mtmarchetti.com  
http://www.mtmarchetti.com



SAU017-3-61

Subject to change without notice.