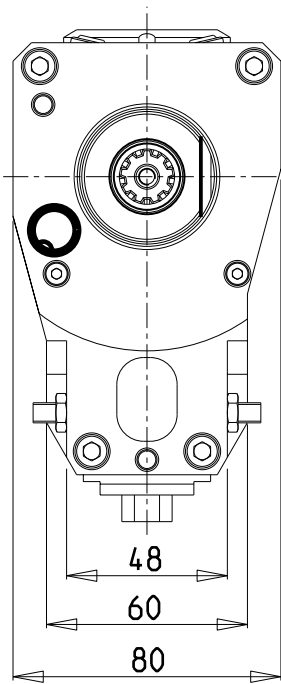
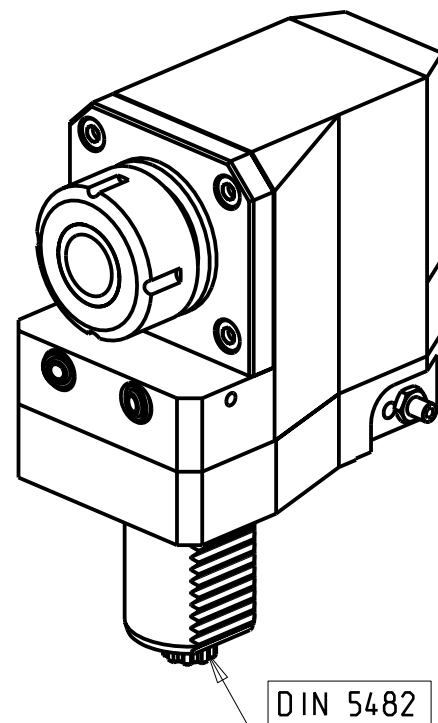
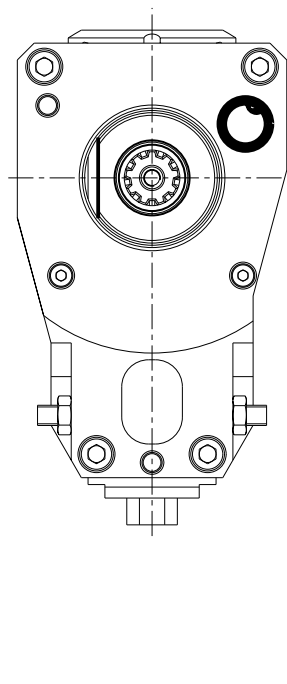


versione dx  
right version  
version rechts



versione sx  
left version  
version links



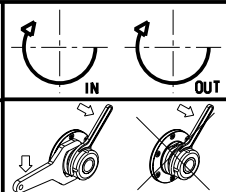
DIN 5482

| Cod. MT  |  | Mandrino<br>Spindle<br>Spindel | I   | RPM  | Coppia Max<br>Max Torque<br>Max Drehmoment | Lubrificazione est.<br>Ext. coolant<br>Aussenkuehlung | CHIAVI NON INCLUSE<br>Keys not included<br>Schluessel nicht einbegriffen |          |
|--|--|--------------------------------|-----|------|--|---|--|----------|
| versione dx<br>right version<br>version rechts | versione sx<br>left version<br>version links |                                |     |      |  |   | CHUB13   | CHSTER32 |
| 201SAU_R32_40D00                               | 201SAU_R32_40D20                             | ER32                           | 1:1 | 4000 | 70Nm                                       | X   | CHUB13   | CHSTER32 |

SAUTER  
VDI 40

MODULO MOTORIZZATO RADIALE ARRETRATO VDI40 DIN 5482 H=85mm  
Radial rear-set driven tool VDI40 DIN 5482 H=85mm  
Radial angetriebenes Werkzeug zurueckversetzt VDI40 DIN 5482 H=85mm

Subject to change without notice.



**M.T. srl**  
Via Casino Albini 480  
Tel. 0541/956034-957884  
Fax 0541/956341  
47842 S. GIOVANNI IN M. (RN)  
e-mail: mtma@mtmarchetti.com  
http://www.mtmarchetti.com



SAU015-3-60