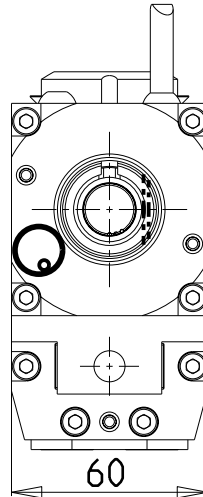
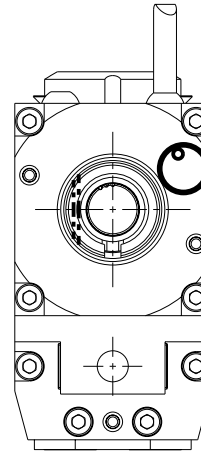


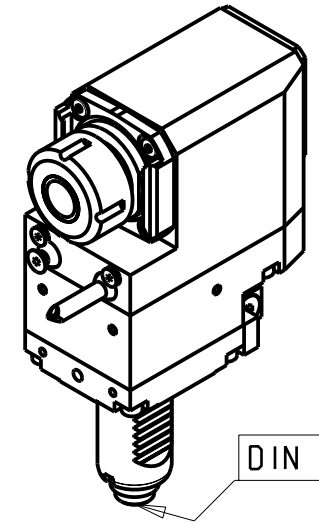
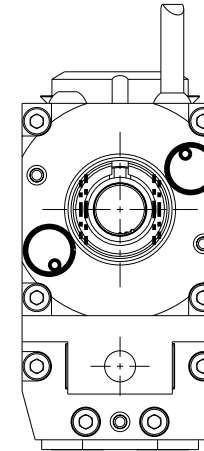
versione dx  
right version  
version rechts



versione sx  
left version  
version links



versione universale  
universal version  
universal version

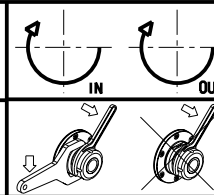


- Chiave inclusa
- Key included
- Schlüssel inbegriffen

Cod. MT			Mandrino Spindle Spindel	I	RPM	Coppia Max Max Torque Max Drehmoment	Lubrificazione int. Coolant through Innenkuehlung	Lubrificazione est. Ext. coolant Aussenkuehlung	A1	A2	B	CHIAVI NON INCLUDE Keys not included Schlüssel nicht einbegriffen		
versione dx right version version rechts	versione sx left version version links	versione universale universal version universal version												
SAU0140120	SAU0141120	SAU0142120	ER20	1:1	6000	32Nm	-	X	41.16	-	73.5	-	CHSTER20	OKU0290009
SAU0140220	SAU0141220	SAU0142220	ER20	1:1	6000	32Nm	P=70bar	X	41.16	-	83.5	-	CHSTER20	OKU0290009
SAU0140320	SAU0141320	SAU0142320	ERA20	1:1	6000	32Nm	-	X	24.5	-	73.5	CHUB22	CHTAER20ZC	OKU0290009
SAU0140420	SAU0141420	SAU0142420	ERA20	1:1	6000	32Nm	P=70bar	X	24.5	-	83.5	CHUB22	CHTAER20ZC	OKU0290009
SAU0140125	SAU0141125	SAU0142125	ER25	1:1	6000	32Nm	-	X	42.16	-	73.5	-	CHSTER25	OKU0290009
SAU0140225	SAU0141225	SAU0142225	ER25	1:1	6000	32Nm	P=70bar	X	42.16	-	83.5	-	CHSTER25	OKU0290009
SAU0140325	SAU0141325	SAU0142325	ERA25	1:1	6000	32Nm	-	X	28.5	-	73.5	CHUB27	CHTAER25ZC	OKU0290009
SAU0140425	SAU0141425	SAU0142425	ERA25	1:1	6000	32Nm	P=70bar	X	28.5	-	83.5	CHUB27	CHTAER25ZC	OKU0290009
SAU0140516	SAU0141516	SAU0142516	WELDON16	1:1	6000	32Nm	-	X	-	27.5	73.5	-	-	-

SAUTER  
VDI 30

MODULO MOTORIZZATO RADIALE ARRETRATO VDI30 DIN 5480 H=100mm  
Radial rear-set driven tool VDI30 DIN 5480 H=100mm  
Radial angetriebenes Werkzeug zurueckversetzt VDI30 DIN 5480 H=100mm



**M.T. srl**  
Via Casino Albini 480  
Tel. 0541/956034-957884  
Fax 0541/956341  
47842 S. GIOVANNI IN M. (RN)  
e-mail: mtma@mtmarchetti.com  
http://www.mtmarchetti.com



SAU018-2-80

Subject to change without notice.

09/2024