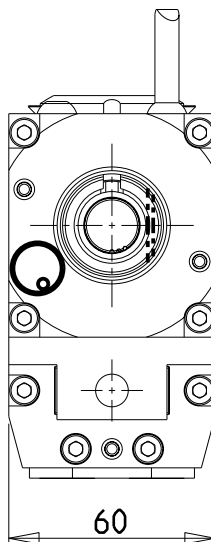
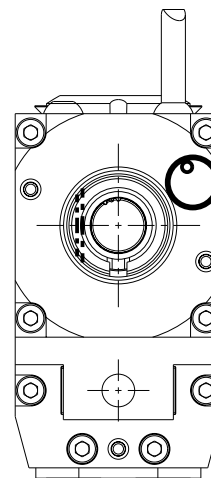


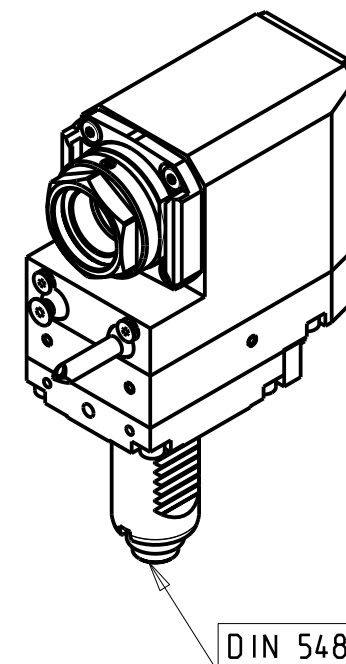
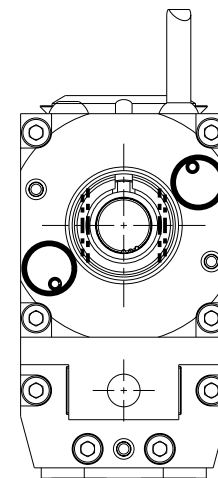
versione dx  
right version  
version rechts



versione sx  
left version  
version links



versione universale  
universal version  
universal version



DIN 5480

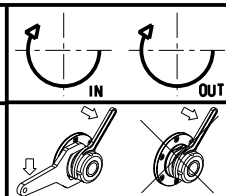
PER PORTAUTENSILI MODULARI MTSK-32 VEDI PAG. TBL300-1-32  
FOR MTSK-32 QUICK CHANGE TOOLHOLDERS CLAMPINGS SEE PAGE TBL300-1-32  
FUER MTSK-32 MODULARE WERKZEUGAUFNAHMEN SIEHE SEITE TBL300-1-32

- Chiave inclusa
- Key included
- Schlüssel inbegriffen

Cod. MT			Mandrino Spindle Spindel	I	RPM	Coppia Max Max Torque Max Drehmoment	Lubrificazione int. Coolant through Innenkuehlung	Lubrificazione est. Ext. coolant Aussenkuehlung	B	CHIAVI NON INCLUSE Keys not included Schlüssel nicht einbegriffen	
versione dx right version version rechts	versione sx left version version links	versione universale universal version universal version								CHUB36	OKU0290009
SAU0650132	SAU0651132	SAU0652132	MTSK-32	1:1	6000	32Nm	-	X	73.5	CHUB36	OKU0290009
SAU0650232	SAU0651232	SAU0652232	MTSK-32	1:1	6000	32Nm	P=70bar	X	83.5	CHUB36	OKU0290009

SAUTER  
VDI 30

MODULO MOTORIZZATO RADIALE ARRETRATO MTSK VDI30 DIN 5480 H=85mm  
Radial MTSK rear-set driven tool VDI30 DIN 5480 H=85mm  
Radial MTSK angetriebenes Werkzeug zurueckversetzt VDI30 DIN 5480 H=85mm



**M.T. srl**  
Via Casino Albini 480  
Tel. 0541/956034-957884  
Fax 0541/956341  
47842 S. GIOVANNI IN M. (RN)  
e-mail: mtma@tmarchetti.com  
http://www.mtmarchetti.com



Subject to change without notice.

09/2024