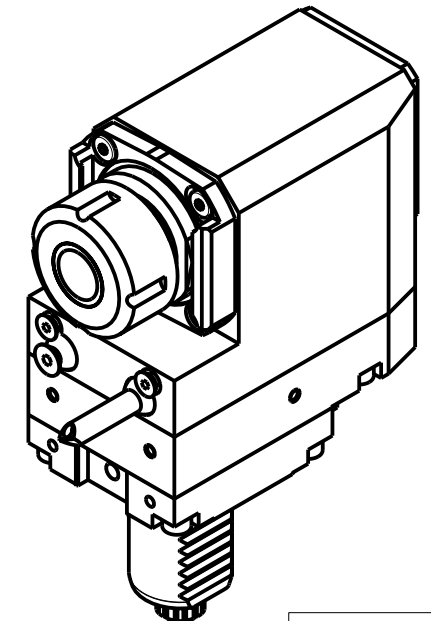
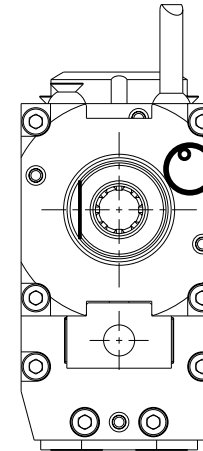
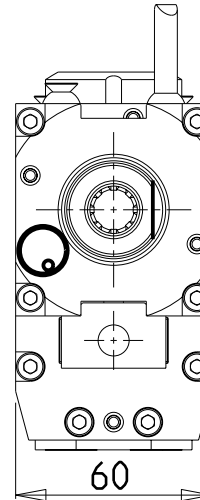


versione dx  
right version  
version rechts

versione sx  
left version  
version links



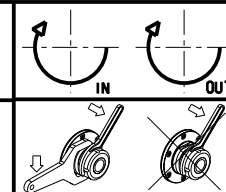
DIN 5482

Cod. MT		Mandrino Spindle Spindel	I	RPM	Coppia Max Max Torque Max Drehmoment	Lubrificazione int. Coolant through Innenkuehlung	Lubrificazione est. Ext. coolant Aussenkuehlung	A1	A2	B	CHIAVI NON INCLUSE Keys not included Schlüssel nicht einbegriffen	
versione dx right version version rechts	versione sx left version version links											
SAU0210120	SAU0211120	ER20	1:1	6000	32Nm	-	X	41.16	-	73.5	-	CHSTER20 OKU0290009
SAU0210220	SAU0211220	ER20	1:1	6000	32Nm	P=70bar	X	41.16	-	83.5	-	CHSTER20 OKU0290009
SAU0210320	SAU0211320	ERA20	1:1	6000	32Nm	-	X	24.5	-	73.5	CHUB22	CHTAER20ZC OKU0290009
SAU0210420	SAU0211420	ERA20	1:1	6000	32Nm	P=70bar	X	24.5	-	83.5	CHUB22	CHTAER20ZC OKU0290009
SAU0210125	SAU0211125	ER25	1:1	6000	32Nm	-	X	42.16	-	73.5	-	CHSTER25 OKU0290009
SAU0210225	SAU0211225	ER25	1:1	6000	32Nm	P=70bar	X	42.16	-	83.5	-	CHSTER25 OKU0290009
SAU0210325	SAU0211325	ERA25	1:1	6000	32Nm	-	X	28.5	-	73.5	CHUB27	CHTAER25ZC OKU0290009
SAU0210425	SAU0211425	ERA25	1:1	6000	32Nm	P=70bar	X	28.5	-	83.5	CHUB27	CHTAER25ZC OKU0290009
SAU0210516	SAU0211516	WELDON16	1:1	6000	32Nm	-	X	-	27.5	73.5	-	-

- Chiave inclusa
- Key included
- Schlüssel inbegriffen

SAUTER  
VDI 30

MODULO MOTORIZZATO RADIALE ARRETRATO VDI30 DIN 5482 H=85mm  
Radial rear-set driven tool VDI30 DIN 5482 H=85mm  
Radial angetriebenes Werkzeug zurueckversetzt VDI30 DIN 5482 H=85mm



**M.T. srl**  
Via Casino Albini 480  
Tel. 0541/956034-957884  
Fax 0541/956341  
47842 S. GIOVANNI IN M. (RN)  
e-mail: mtma@mtmarchetti.com  
http://www.mtmarchetti.com



SAU015-2-70

Subject to change without notice.

09/2024