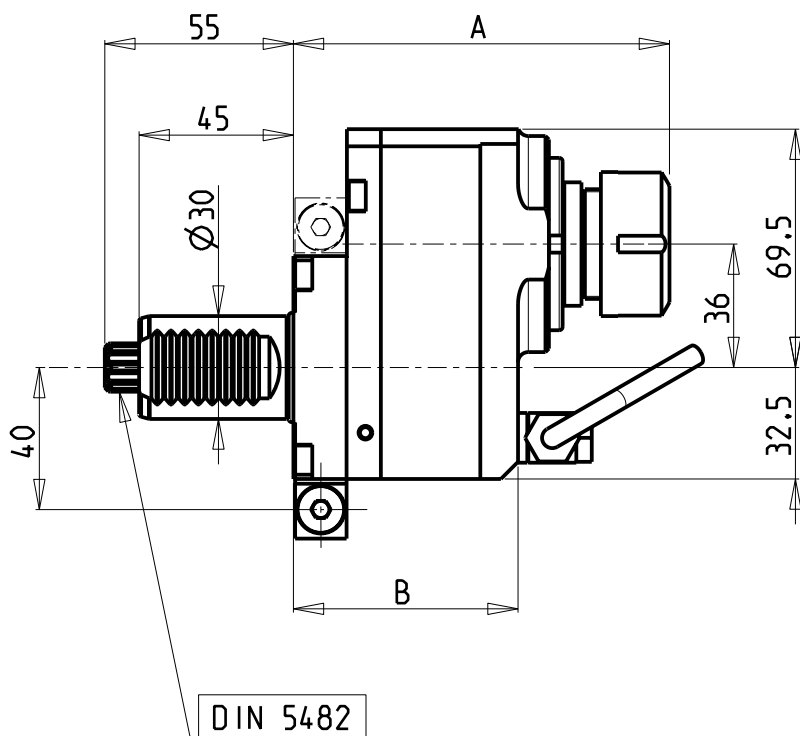
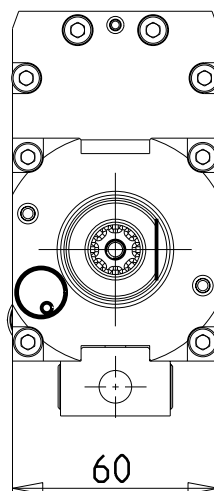


ATTENZIONE - ATTENTION - ACHTUNG

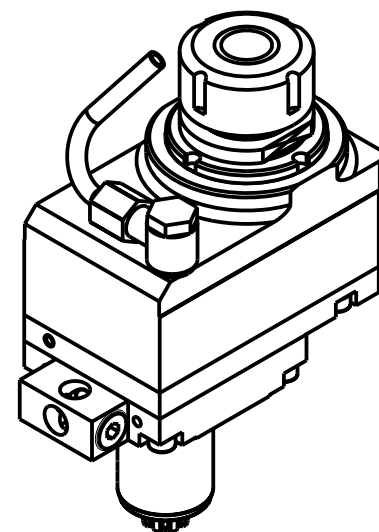
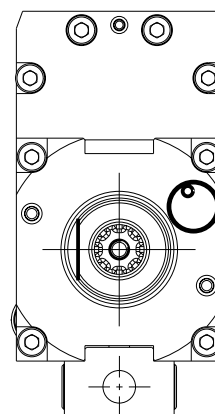
- Per lo smontaggio degli utensili utilizzare sempre la chiave di contrasto come indicato nel manuale d'uso.
- For disassembly of the tools use always the contrast key as mentioned in the user instructions.
- Fuer das Abmontieren der Werkzeuge immer den Gegenschlüssel benutzen wie in der Bedienungsanleitung erwaeht.



versione dx  
right version  
version rechts



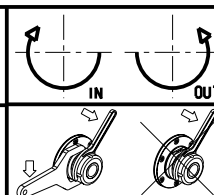
versione sx  
left version  
version links



Cod. MT		Mandrino Spindle Spindel	I	RPM	Coppia Max Max Torque Max Drehmoment	Lubrificazione est. Ext. coolant Aussenkuehlung	A	B	CHIAVI NON INCLUSE Keys not included Schlüssel nicht einbegriffen	
versione dx right version version rechts	versione sx left version version links								CHUB36	CHSTER25
SAU1120225	SAU1121225	ER25	1:2	12000	20Nm	X	109.7	65.5	CHUB36	CHSTER25

SAUTER  
VDI 30

MODULO MOTORIZZATO ASSIALE MOLTIPLICATO I=1:2 DISASSATO 36mm VDI30 DIN 5482  
Axial geared-up I=1:2 driven tool re-directed by 36mm VDI30 DIN 5482  
Axial angetriebenes Werkzeug uebersetzt I=1:2 achsversetzt um 36mm VDI30 DIN 5482



**M.T. srl**

Via Casino Albini 480  
Tel. 0541/956034-957884  
Fax 0541/956341  
47842 S. GIOVANNI IN M. (RN)  
e-mail: mtma@mtmarchetti.com  
http://www.mtmarchetti.com



SAU014-2-60

Subject to change without notice.

09/2024