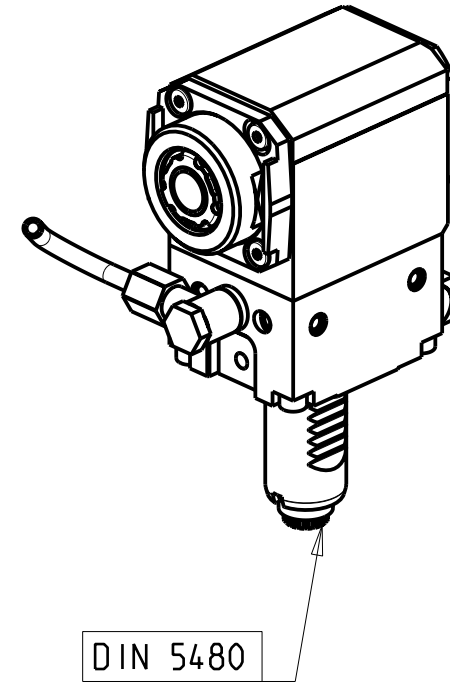
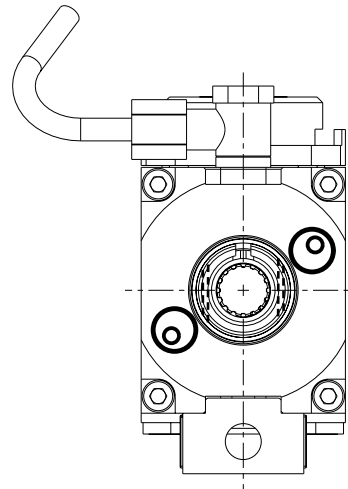


versione universale
universal version
universal version



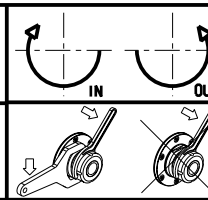
DIN 5480

Cod. MT	Mandrino Spindle Spindel	I	RPM	Coppia Max Max Torque Max Drehmoment	Lubrificazione est. Ext. coolant Aussenkuehlung	CHIAVI NON INCLUSE Keys not included Schlüssel nicht einbegriffen		
SAU04.02320	ERA20	1:1	6000	25Nm	X	CHUB22	CHTAER20ZC *	OKU0290009 *

- Chiave inclusa
- Key included
- Schlüssel inbegriffen

SAUTER
VDI 25

MODULO MOTORIZZATO RADIALE VDI25 DIN 5480
Radial driven tool VDI25 DIN 5480
Radial angetriebenes Werkzeug VDI25 DIN 5480



M.T. srl
Via Casino Albini 480
Tel. 0541/956034-957884
Fax 0541/956341
47842 S. GIOVANNI IN M. (RN)
e-mail: mtma@mtmarchetti.com
http://www.mtmarchetti.com



SAU018-1-00

Subject to change without notice.

09/2024