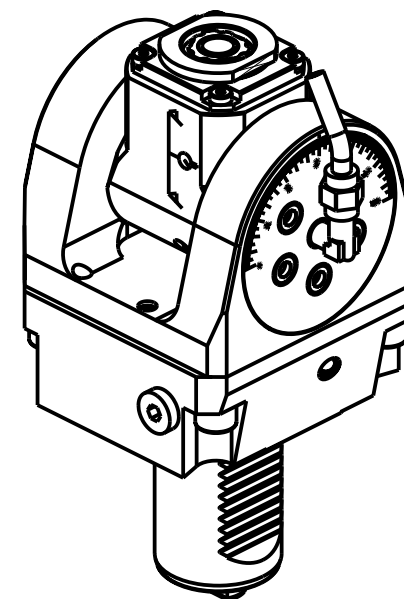


ATTENZIONE - ATTENTION - ACHTUNG

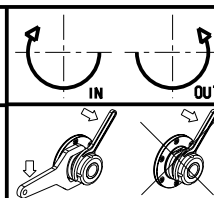
- Per lo smontaggio degli utensili utilizzare sempre la chiave di contrasto come indicato nel manuale d'uso.
- For disassembly of the tools use always the contrast key as mentioned in the user instructions.
- Fuer das Abmontieren der Werkzeuge immer den Gegenschlüssel benutzen wie in der Bedienungsanleitung erwaeht.



| Cod. MT | Mandrino Spindle Spindel | I | RPM | Coppia Max Max Torque Max Drehmoment | Reversibile lato mandrino/contromandrino Reversible sub/main spindle side Umkehrbare Spindel-seite/ Gegenspindel-seite | Lubrificazione inf. Coolant through Innenkuehlung | Lubrificazione est. Ext. coolant Ausseinkuehlung | CHIAVI INCLUSE Keys included Schluessel inbegriffen | | |
|-------------|--------------------------|-----|-------|--------------------------------------|--|---|--|---|---------|------------|
| TKW 1002316 | ERA16 | 1:2 | 12000 | 8Nm | X | - | X | C HUB19_SP3 | C HUB32 | CHTAER16ZC |
| TKW 1002416 | ERA16 | 1:2 | 12000 | 8Nm | X | P=70bar | X | C HUB19_SP3 | C HUB32 | CHTAER16ZC |

TAKISAWA
MOD: TMM200/250 - TNR200

MODULO MOTORIZZATO ORIENTABILE ±90° Moltiplicato I=1:2 VDI40
±90° adjustable angle driven tool geared-up I=1:2 VDI40
Angetriebenes Werkzeug schwenkbar ±90° uebersetzt I=1:2 VDI40



M.T. srl
Via Casino Albini 480
Tel. 0541/956034-957884
Fax 0541/956341
47842 S. GIOVANNI IN M. (RN)
e-mail: mtma@mtmarchetti.com
http://www.mtmarchetti.com



TKW 336-3-00

Subject to change without notice.

09/2024