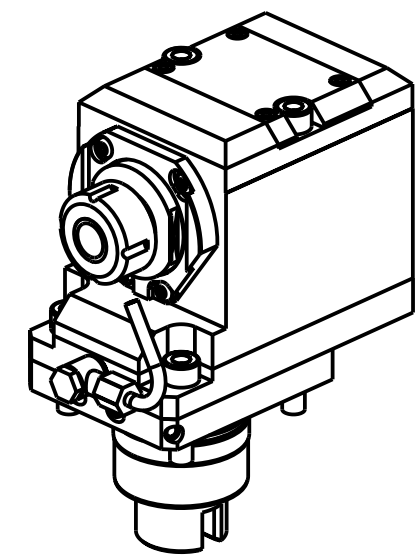
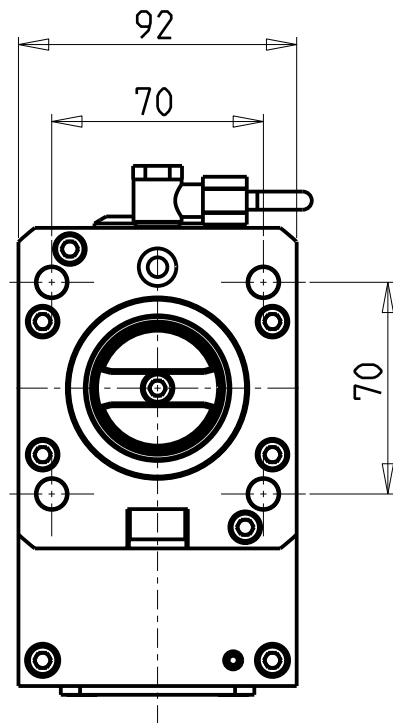
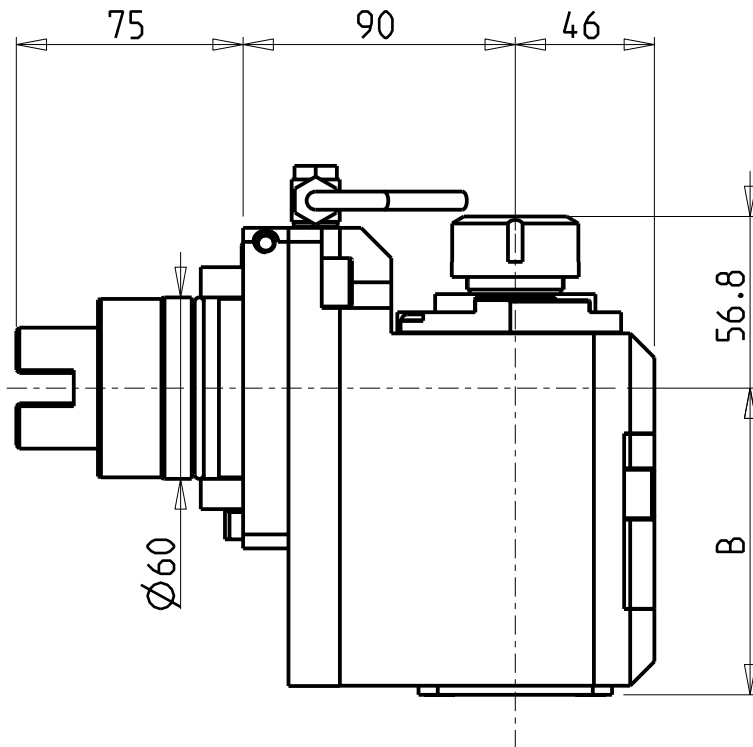


ATTENZIONE - ATTENTION - ACHTUNG

- VERIFICARE LE MISURE DI INGOMBRO PER POSSIBILE INTERFERENZA SU ALCUNI MODELLI DI MACCHINE
- Please check the overall sizes for possible interferences on some machine models
- Bitte überprüfen sie das ausmass um mögliche interferenzen auf einigen maschinen modellen zu vermeiden



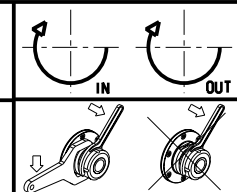
Cod. MT	Mandrino Spindle Spindel	I	RPM	Coppia Max Max Torque Max Drehmoment	Lubrificazione int. Coolant through Innenkuehlung	Lubrificazione est. Ext. coolant Aussenkuehlung	B	CHIAVI NON INCLUSE Keys not included Schluessel nicht einbegriffen	
TKW 074.1125	ER25	1:1	6000	50Nm	-	X	101.4	CHSTER25	OKU0650004 ■
TKW 074.1225	ER25	1:1	6000	50Nm	P=70bar	X	113.9	CHSTER25	OKU0650004 ■

- Chiave inclusa
- Key included
- Schluessel inbegriffen

TAKISAWA
 MOD: EX308/310/508/510/708/710/910 - TT350 MC - NEX908/910 - LA250YS 15ST. - FX-800 - MX-800 - EX2000M/Y
 NX-2000 M/MS/Y/YS 12ST.

MODULO MOTORIZZATO ASSIALE ARRETRATO PER CONTROMANDRINO
 Axial rear-set driven tool for subspindle
 Axial angetriebenes Werkzeug fuer Gegenspindel zurueckversetzt

Subject to change without notice.



M.T. srl
 Via Casino Albini 480
 Tel. 0541/956034-957884
 Fax 0541/956341
 47842 S. GIOVANNI IN M. (RN)
 e-mail: mtma@mtmarchetti.com
 http://www.mtmarchetti.com



TKW 185-2-10