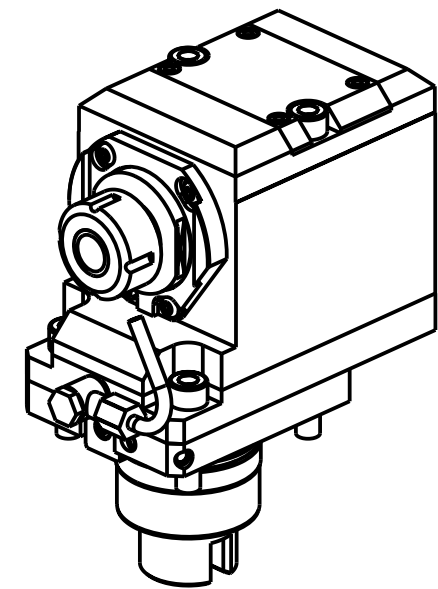
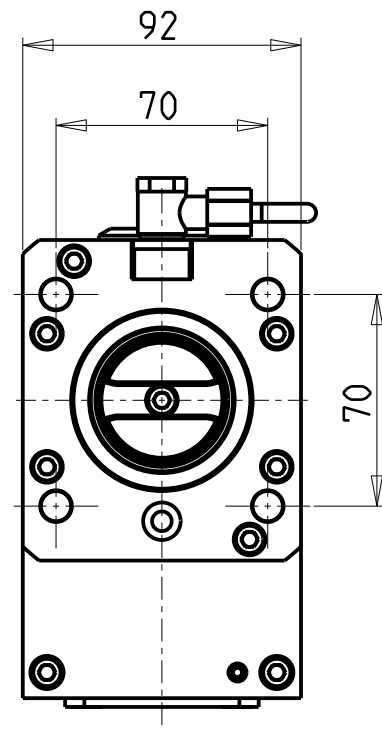
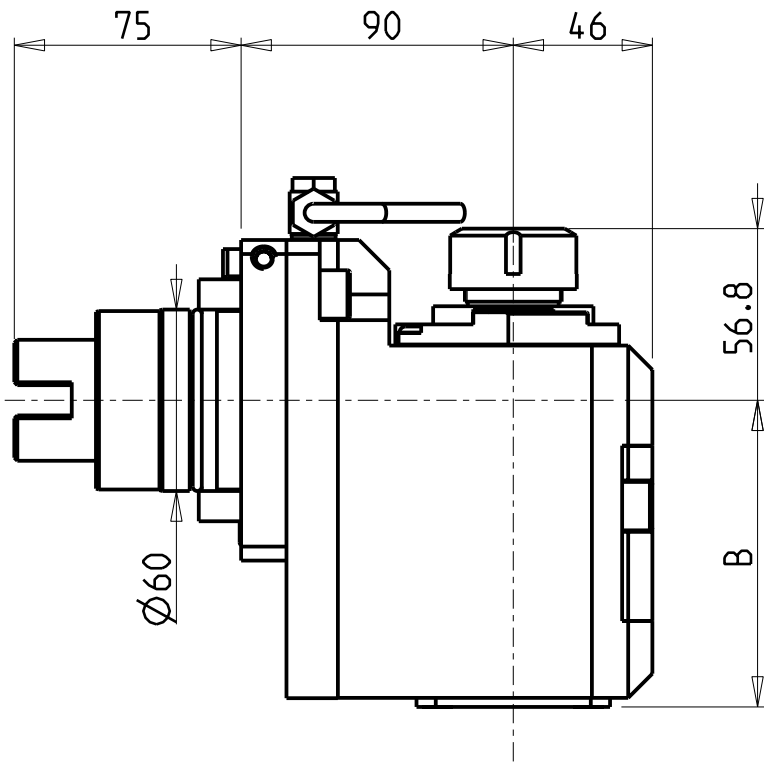


**ATTENZIONE - ATTENTION - ACHTUNG**

- VERIFICARE LE MISURE DI INGOMBRO PER POSSIBILE INTERFERENZA SU ALCUNI MODELLI DI MACCHINE
- Please check the overall sizes for possible interferences on some machine models
- Bitte überprüfen sie das ausmass um mögliche interferenzen auf einigen maschinen modellen zu vermeiden



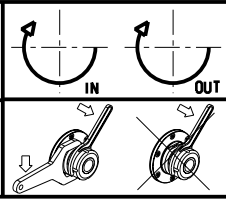
Cod. MT	Mandrino Spindle Spindel	I	RPM	Coppia Max Max Torque Max Drehmoment	Lubrificazione int. Coolant through Innenkuehlung	Lubrificazione est. Ext. coolant Aussenkuehlung	B	CHIAVI NON INCLUSE Keys not included Schluessel nicht einbegriffen	
TKW 0740125	ER25	1:1	6000	50Nm	-	X	101.4	CHSTER25	OKU0650004 ▪
TKW 0740225	ER25	1:1	6000	50Nm	P=70bar	X	113.9	CHSTER25	OKU0650004 ▪

- Chiave inclusa
- Key included
- Schluessel inbegriffen

**TAKISAWA**  
 MOD: EX308/310/508/510/708/710/910 - TC350MC - NEX108/110/908/910 - LA200/250/300 M/Y - LA250YS 15ST. - FX-800  
 EX2000M/Y - NX-2000 M/MS/Y/YS 12ST.

**MODULO MOTORIZZATO ASSIALE ARRETRATO**  
 Axial rear-set driven tool  
 Axial angetriebenes Werkzeug zurueckversetzt

Subject to change without notice.



**M.T. srl**  
 Via Casino Albini 480  
 Tel. 0541/956034-957884  
 Fax 0541/956341  
 47842 S. GIOVANNI IN M. (RN)  
 e-mail: mtma@mtmarchetti.com  
 http://www.mtmarchetti.com



**TKW 180-2-10**