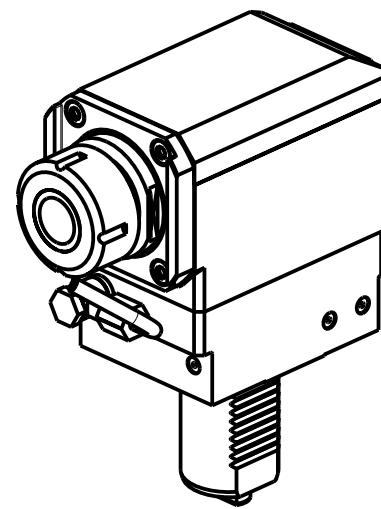


**ATTENZIONE - ATTENTION - ACHTUNG**

- Per lo smontaggio degli utensili utilizzare sempre la chiave di contrasto come indicato nel manuale d'uso.
- For disassembly of the tools use always the contrast key as mentioned in the user instructions.
- Fuer das Abmontieren der Werkzeuge immer den Gegenschlüssel benutzen wie in der Bedienungsanleitung erwaeht.

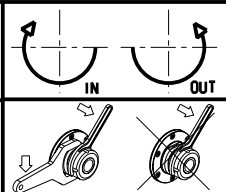


Cod. MT	Cod. TAKISAWA	Mandrino Spindle Spindel	I	RPM	Coppia Max Max Torque Max Drehmoment	Lubrificazione int. Coolant through Innenkuehlung	Lubr.esterna Ext. coolant Aussenkuehlung	A	B	CHIAVI NON INCLUSE Keys not included Schluesssel nicht einbegriffen	
TKW 0090132	GM81998-642A	ER32	1:1	6000	65Nm	-	X	99.7	58.5	CHSTER32	OKU0650004
TKW 0090232	-	ER32	1:1	6000	65Nm	P=70bar	X	99.7	69.5	CHSTER32	OKU0650004
TKW 0090140	-	ER40	1:1	6000	65Nm	-	X	103.7	58.5	CHSTER40	OKU0650004
TKW 0090240	-	ER40	1:1	6000	65Nm	P=70bar	X	103.7	69.5	CHSTER40	OKU0650004

- Chiave inclusa
- Key included
- Schluesssel inbegriffen

TAKISAWA  
MOD: TMM200/250 - TNR200

MODULO MOTORIZZATO ASSIALE VDI40  
Axial driven tool VDI40  
Axial angetriebenes Werkzeug VDI40



**M.T. srl**  
Via Casino Albini 480  
Tel. 0541/956034-957884  
Fax 0541/956341  
47842 S. GIOVANNI IN M. (RN)  
e-mail: mtma@mtmarchetti.com  
http://www.mtmarchetti.com



TKW 150-3-10

Subject to change without notice.