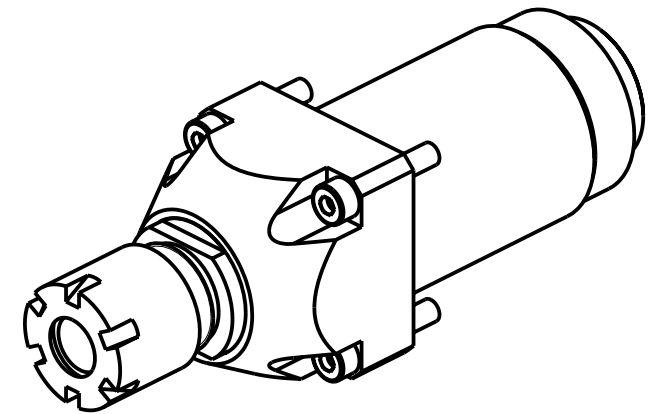
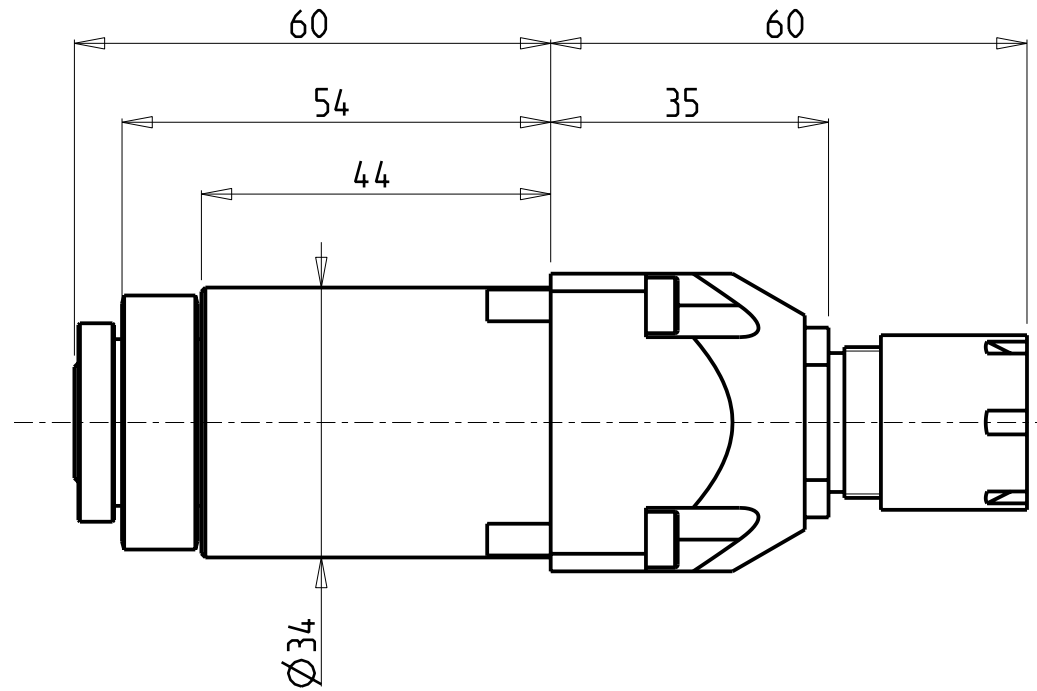
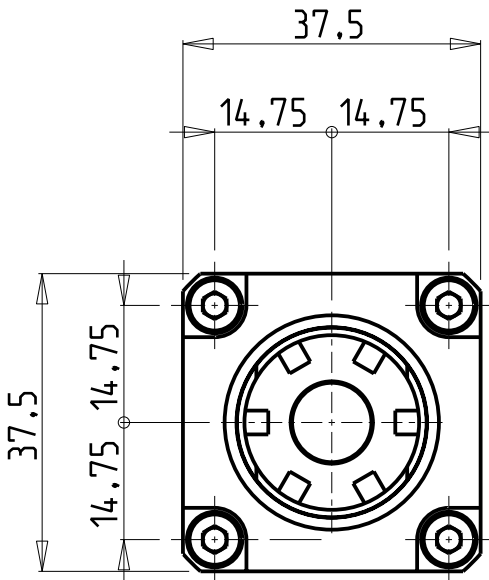


ATTENZIONE - ATTENTION - ACHTUNG

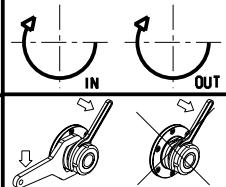
- Per lo smontaggio degli utensili utilizzare sempre la chiave di contrasto come indicato nel manuale d'uso.
- For disassembly of the tools use always the contrast key as mentioned in the user instructions.
- Fuer das Abmontieren der Werkzeuge immer den Gegenschlüssel benutzen wie in der Bedienungsanleitung erwaeht.



| Cod. MT | Mandrino Spindle Spindel | I | RPM | Lubr.esterna Ext. coolant Aussenkuehlung | CHIAVI NON INCLUSE Keys not included Schlüssel nicht einbegriffen | |
|------------|--------------------------------|-----|------|------------------------------------------------|-------------------------------------------------------------------------|------------|
| STR0040116 | ER16 | 1:1 | 8000 | X | CHMNER16 | CHUB19_SP3 |

STAR
 MOD: ECAS12/20 - ECAS32T - SB12/16/20 - SR16/20 - SR20RIV - SR20/32J11B - SR32J/JN - SV12/20 - SV32 - SV32J11 - SV38R - SW 20

MODULO MOTORIZZATO ASSIALE
 Axial driven tool
 Axial angetriebenes Werkzeug



M.T. srl
 Via Casino Albini 480
 Tel. 0541/956034-957884
 Fax 0541/956341
 47842 S. GIOVANNI IN M. (RN)
 e-mail: mtma@mtmarchetti.com
 http://www.mtmarchetti.com



STR010-2-00

Subject to change without notice.