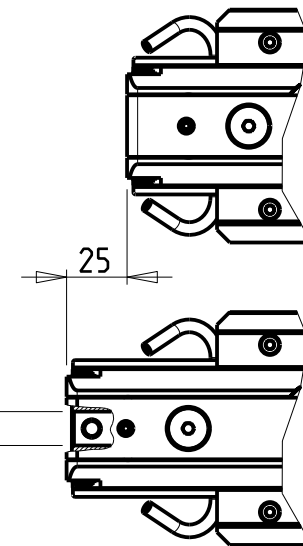
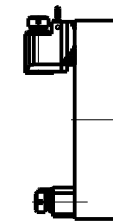


TORRETTE ASSIALI  
AXIAL TURRETS  
AXIAL REVOLVER



Ø16  
TOOL DIAMETER

25

**DOTAZIONI - SUPPLIED WITH - AUSSTATTUNG**

N\*1 Boccola di riduz. Ø16-Ø12 e N\*1 Boccola di riduz. Ø16-Ø10  
N\*1 Reduction bush Ø16-Ø12 and N\*1 Reduction bush Ø16-Ø10  
N\*1 Reduzierbuchsen Ø16-Ø12 und N\*1 Reduzierbuchsen Ø16-Ø10

PER UTENSILI STOZZATORI VEDI PAG. TBL400-1-00  
FOR DRIVEN SLOTTING TOOL CUTTING-TOOLS SEE PAGE TBL400-1-00  
FÜR NUTENSTOSS-WERKZEUG SCHNEIDWERKZEUGE SIEHE SEITE TBL400-1-00

Cod. MT	I	RPM MAX	Lubr. esterna Ext. coolant Aussenkuehlung
OKU1360200	4:1	2400	X

OKUMA  
MOD: LB15/300 - LT15/300 - LR15 - LU15M - LU300M - GENOS L300M - GENOS L3000e M/MY (VDI40) - ES L10M  
MODULO MOTORIZZATO STOZZATORE CORSA 25mm VDI40  
Slotting driven tool 25mm stroke VDI40  
Keilnutenstossmaschine 25mm Hub VDI40

**M.T. srl**  
Via Casino Albini 480  
Tel. 0541/956034-957884  
Fax 0541/956341  
47842 S. GIOVANNI IN M. (RN)  
e-mail: mtma@mtmarchetti.com  
http://www.mtmarchetti.com



OKU360-2-31

Subject to change without notice.

09/2024