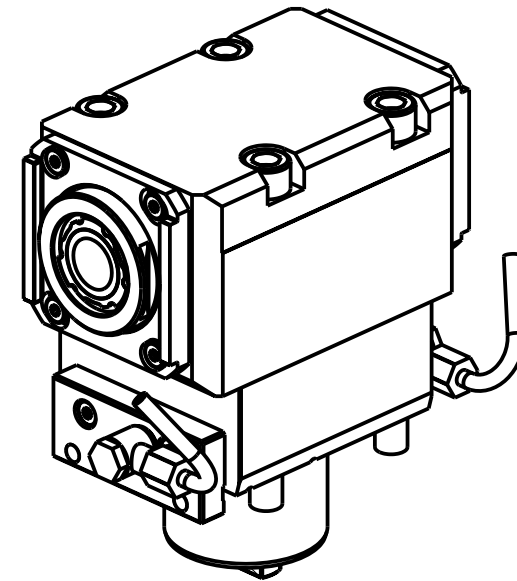


ATTENZIONE - ATTENTION - ACHTUNG

- Per lo smontaggio degli utensili utilizzare sempre la chiave di contrasto come indicato nel manuale d'uso.
- For disassembly of the tools use always the contrast key as mentioned in the user instructions.
- Fuer das Abmontieren der Werkzeuge immer den Gegenschlüssel benutzen wie in der Bedienungsanleitung erwaeht.



| Cod. MT | Mandrino Spindle Spindel | I | RPM | Coppia Max Max Torque Max Drehmoment | Reversibile lato mandrino/contromandrino Reversible sub/main spindle side Umkehrbare Spindel-seite/ Gegenspindel-seite | Lubr.esterna Ext. coolant Aussenkuehlung | CHIAVI NON INCLUDE Keys not included Schluesssel nicht einbegriffen | |
|------------|--------------------------------|-----|------|--|---|--|---|---------------------------|
| OKU1660232 | ERA32+ERA32 | 1:1 | 6000 | 70Nm | X | X | CHUB30 | CHTAER32ZC • OKU0650004 • |

- Chiave inclusa
- Key included
- Schluesssel inbegriffen

OKUMA

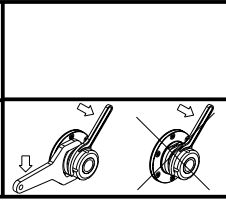
MOD: MULTUS U3000/4000/5000 2SW - GENOS L300MW /MYW

MODULO MOTORIZZATO ASSIALE BISPORGENTE H=90mm

Axial opposite face twin driven tool H=90mm

Axial angetriebenes Werkzeug halb vorspringend H=90mm

Subject to change without notice.



M.T. srl
 Via Casino Albini 480
 Tel. 0541/956034-957884
 Fax 0541/956341
 47842 S. GIOVANNI IN M. (RN)
 e-mail: mtma@mtmarchetti.com
 http://www.mtmarchetti.com



OKU240-4-20