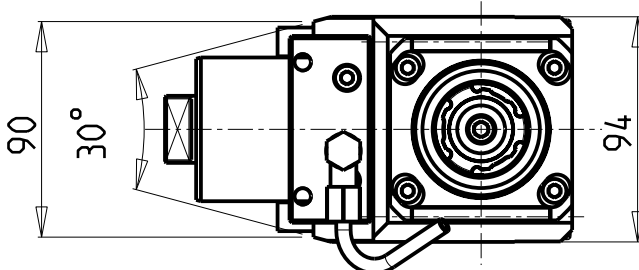
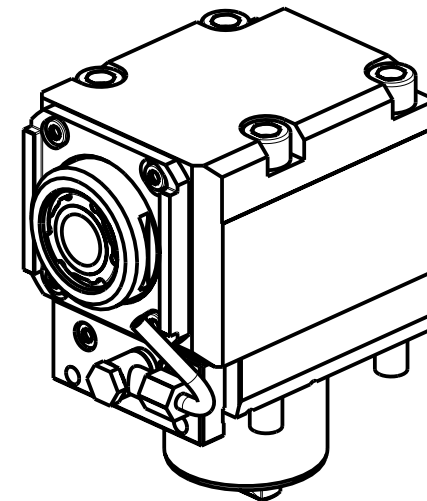
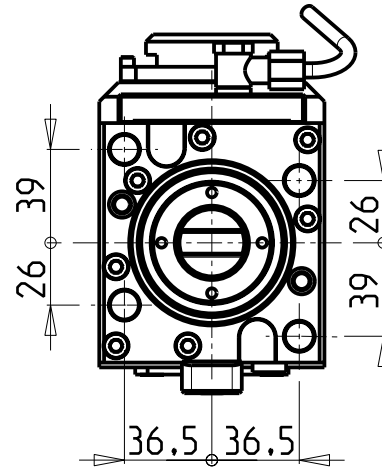
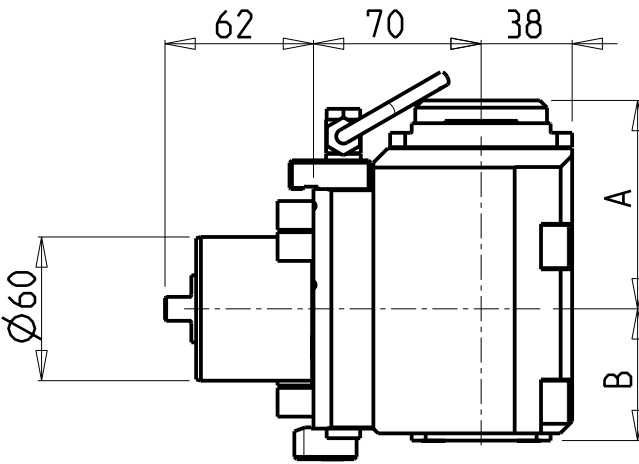


ATTENZIONE - ATTENTION - ACHTUNG

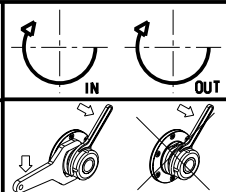
- Per lo smontaggio degli utensili utilizzare sempre la chiave di contrasto come indicato nel manuale d'uso.
- For disassembly of the tools use always the contrast key as mentioned in the user instructions.
- Fuer das Abmontieren der Werkzeuge immer den Gegenschlüssel benutzen wie in der Bedienungsanleitung erwaeht.



- Chiave inclusa
- Key included
- Schluessel inbegriffen

Cod. MT	Mandrino Spindle Spindel	I	RPM	Coppia Max Max Torque Max Drehmoment	Reversibile lato mandrino/contromandrino Reversible sub/main spindle side Umkehrbare Spindel-seite/ Gegenspindel-seite	Lubr.interna Coolant through Innenkuehlung	Lubr.esterna Ext. coolant Aussenkuehlung	A	B	CHIAVI NON INCLUSE Keys not included Schluessel nicht einbegriffen		
										CHUB30	OKU0650004	CHTAER32ZC
OKU0780132	ERA32	1:1	6000	70Nm	X	-	X	87	55	CHUB30	OKU0650004	CHTAER32ZC
OKU0780232	ERA32	1:1	6000	70Nm	X	P=70bar	X	87	63.5	CHUB30	OKU0650004	CHTAER32ZC
OKU0780340	ER40	1:1	6000	70Nm	X	-	X	111.66	55	-	OKU0650004	CHSTER40
OKU0780440	ER40	1:1	6000	70Nm	X	P=70bar	X	111.66	63.5	-	OKU0650004	CHSTER40

OKUMA
 MOD: LB2000-2500-3000EX(I) M/MY/MW/MYW - LB2000-2500-3000EX(II) M/MY/MW/MYW - LU3000EX M/MY/MW
 GENOS L300MW/MYW - GENOS L3000e M/MY
MODULO MOTORIZZATO ASSIALE H=70mm
 Axial driven tool H=70mm
Modul angetriebenes Werkzeug H=70mm



M.T. srl
 Via Casino Albini 480
 Tel. 0541/956034-957884
 Fax 0541/956341
 47842 S. GIOVANNI IN M. (RN)
 e-mail: mtma@mtmarchetti.com
 http://www.mtmarchetti.com



OKU150-4-10

Subject to change without notice.