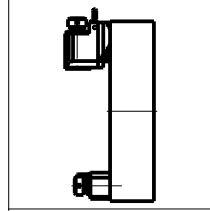
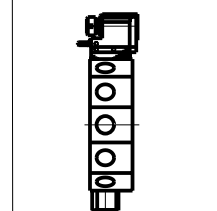


**TORRETTE ASSIALI**  
**AXIAL TURRETS**  
**AXIAL REVOLVER**

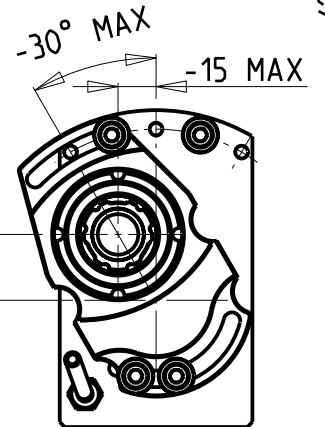
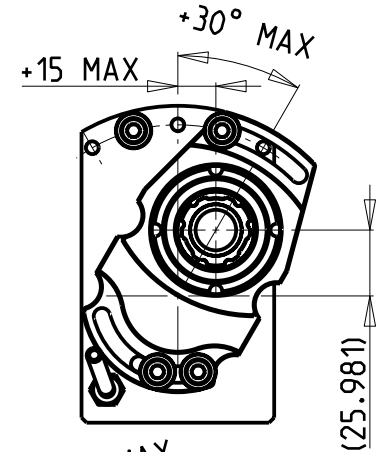
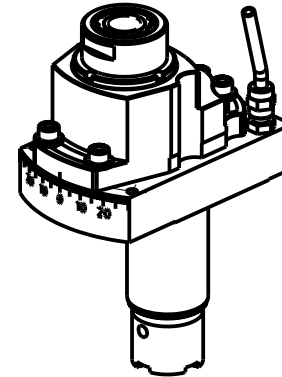
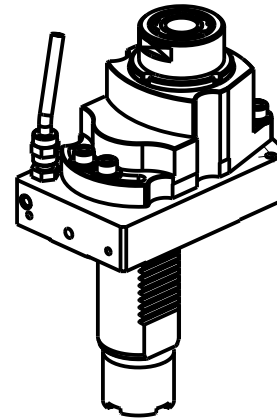


**TORRETTE RADIALI**  
**RADIAL TURRETS**  
**RADIAL REVOLVER**



**ATTENZIONE - ATTENTION - ACHTUNG**

- Per lo smontaggio degli utensili utilizzare sempre la chiave di contrasto come indicato nel manuale d'uso.
- For disassembly of the tools use always the contrast key as mentioned in the user instructions.
- Fuer das Abmontieren der Werkzeuge immer den Gegenschlüssel benutzen wie in der Bedienungsanleitung erwäehnt.



- Chiave inclusa
- Key included
- Schluessel inbegriffen

Cod. MT	Mandrino Spindle Spindel	I	RPM	Coppia Max Max Torque Max Drehmoment	Lubrificazione est. Ext. coolant Ausseenkuehlung	CHIAVI NON INCLUSE Keys not included Schluessel nicht einbegriffen		
OKU1600325	ERA25	1:1	4000	40Nm	X	CHUB36	CHUB27	CHTAER25ZC

**OKUMA**

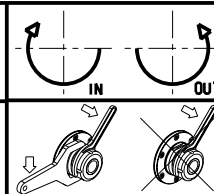
MOD: LB25/400 - LR25 - LU25M - LU400M

MODULO MOTORIZZATO ASSIALE DISASSATO 30mm ORIENTABILE ±30° VDI40

Axial ±30° adjustable angle driven tool re-directed by 30mm VDI40

Axial angetriebenes Werkzeug schwenkbar ±30° achsversetzt um 30mm VDI40

Subject to change without notice.



**M.T. srl**

Via Casino Albini 480  
 Tel. 0541/956034-957884  
 Fax 0541/956341

47842 S. GIOVANNI IN M. (RN)  
 e-mail: mtma@mtmarchetti.com  
 http://www.mtmarchetti.com



OKU135-3-00