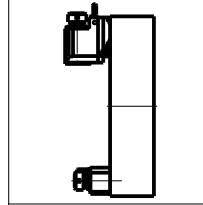
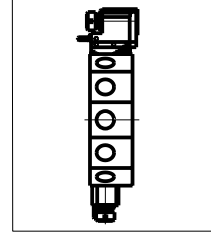


**TORRETTE ASSIALI**  
**AXIAL TURRETS**  
**AXIAL REVOLVER**

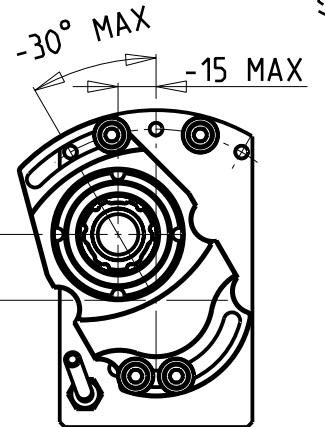
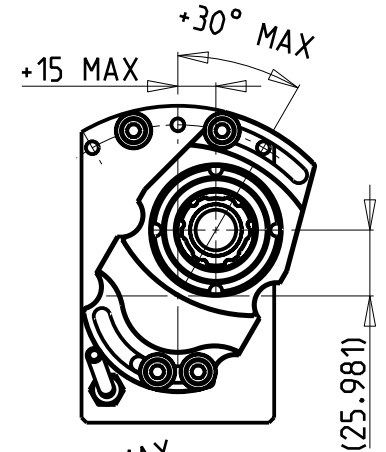
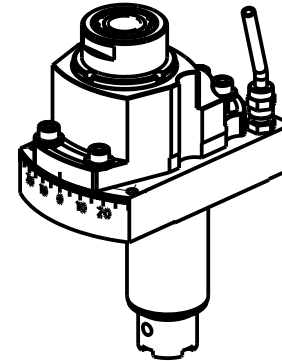
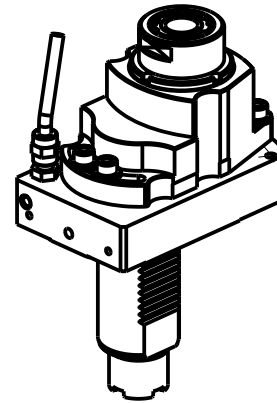


**TORRETTE RADIALI**  
**RADIAL TURRETS**  
**RADIAL REVOLVER**



**ATTENZIONE - ATTENTION - ACHTUNG**

- Per lo smontaggio degli utensili utilizzare sempre la chiave di contrasto come indicato nel manuale d'uso.
- For disassembly of the tools use always the contrast key as mentioned in the user instructions.
- Fuer das Abmontieren der Werkzeuge immer den Gegenschlüssel benutzen wie in der Bedienungsanleitung erwäehnt.

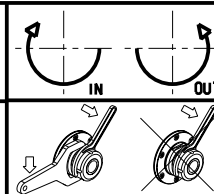


- Chiave inclusa
- Key included
- Schluessel inbegriffen

Cod. MT	Mandrino Spindle Spindel	I	RPM	Coppia Max Max Torque Max Drehmoment	Lubrificazione est. Ext. coolant Ausseukuehlung	CHIAVI NON INCLUSE Keys not included Schluessel nicht einbegriffen		
OKU1590325	ERA25	1:1	4000	40Nm	X	CHUB36	CHUB27	CHTAER25ZC *

**OKUMA**  
 MOD: LB15/300 - LT15/300 - LR15 - LU15M - LU300M - GENOS L300M - GENOS L3000e M/MY (VDI40)  
 MACTURN 250/350/550 - ES L10M

**MODULO MOTORIZZATO ASSIALE DISASSATO 30mm ORIENTABILE ±30° VDI40**  
 Axial ±30° adjustable angle driven tool re-directed by 30mm VDI40  
 Axial angetriebenes Werkzeug schwenkbar ±30° achsversetzt um 30mm VDI40



**M.T. srl**  
 Via Casino Albini 480  
 Tel. 0541/956034-957884  
 Fax 0541/956341  
 47842 S. GIOVANNI IN M. (RN)  
 e-mail: mtma@mtmarchetti.com  
 http://www.mtmarchetti.com



OKU135-2-00

Subject to change without notice.

09/2024