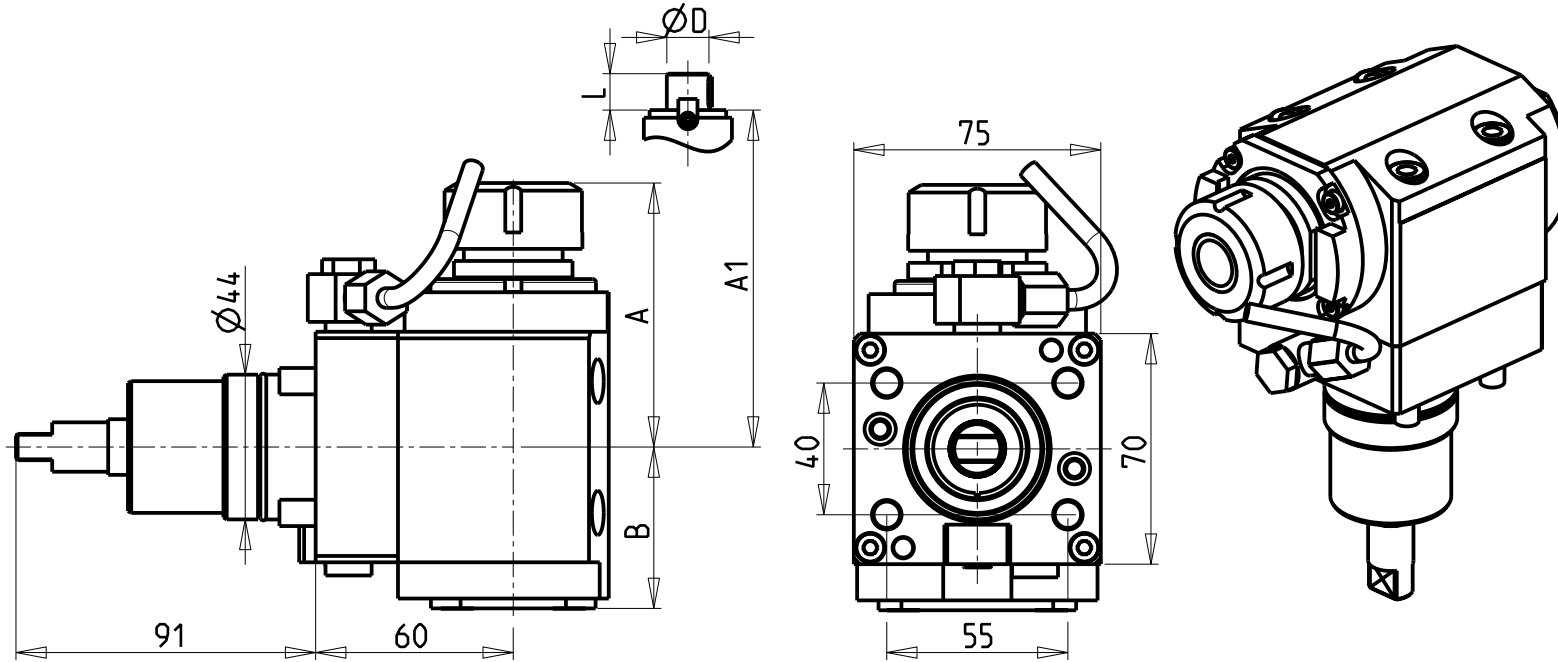


**ATTENZIONE - ATTENTION - ACHTUNG**

- Per lo smontaggio degli utensili utilizzare sempre la chiave di contrasto come indicato nel manuale d'uso.
- For disassembly of the tools use always the contrast key as mentioned in the user instructions.
- Fuer das Abmontieren der Werkzeuge immer den Gegenschlüssel benutzen wie in der Bedienungsanleitung erwaeht.



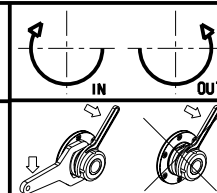
- Chiave inclusa
- Key included
- Schluessel inbegriffen

Cod. MT	Mandrino Spindle Spindel	I	RPM	Coppia Max Max Torque Max Drehmoment	Reversibile lato mandrino/contromandrino Reversible sub/main spindle side Umkehrbare Spindel-seite/ Gegenspindel-seite	Lubr. interna Coolant through Innenkuhlung	Lubr. esterna Ext. coolant Aussenkuhlung	A	A1	B	D	L	CHIAVI NON INCLUSE Keys not included Schluessel nicht einbegriffen	
NKM0240125	ER25	1:1	6000	35Nm	X	-	X	82.16	-	49	-	-	OKU0290009	CHSTER25
NKM0240225	ER25	1:1	6000	35Nm	X	P=70bar	X	82.16	-	59	-	-	OKU0290009	CHSTER25
NKM0240520	ERA20	1:1	6000	35Nm	X	-	X	69.23	-	49	-	-	OKU0290009	CHUB22
NKM0240620	ERA20	1:1	6000	35Nm	X	P=70bar	X	69.23	-	59	-	-	OKU0290009	CHUB22
NKM0241617	Ø16x17	1:1	6000	35Nm	X	-	X	-	63	49	16	17	CHUB36	CH_VTCROCE_M08
NKM0242219	Ø22x19	1:1	6000	35Nm	X	-	X	-	63	49	22	19	CHUB36	CH_VTCROCE_M10

MURATEC  
MOD: MT100 15ST.

MODULO MOTORIZZATO ASSIALE H=60mm  
Axial driven tool H=60mm  
Axial engetriebenes Werkzeug H=60mm

Subject to change without notice.



**M.T. srl**  
Via Casino Albini 480  
Tel. 0541/956034-957884  
Fax 0541/956341  
47842 S. GIOVANNI IN M. (RN)  
e-mail: mtma@mtmarchetti.com  
http://www.mtmarchetti.com



MUR150-3-10