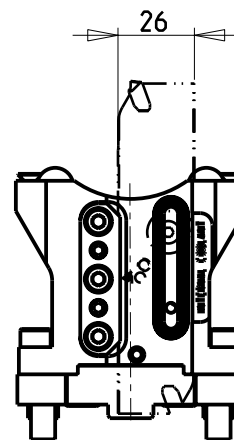
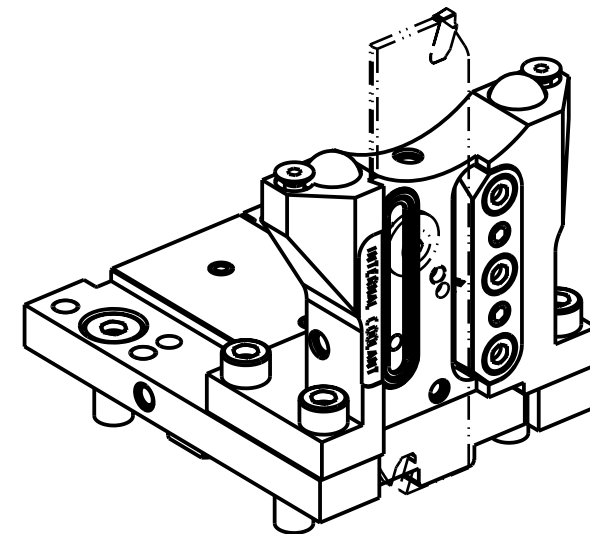


versione dx
right version
version rechts



versione sx
left version
version links



KIT LAME NON INCLUSI (OPZIONALI)
BLADES NOT SUPPLIED WITH (OPTIONAL)
KLINGEN NICHT INBEGRIFFEN (OPTIONAL)

- LAMA-BLADE-KLINGE SANDVIK H=26 sp.3 cod. QD_NN2G36C21A
+INSERTI-INSERTS-EINLAGEN cod. QD_NG_0300_0002_CM_1145 (10 pz.)
- LAMA-BLADE-KLINGE ISCAR H=26 sp.3 cod. SGFH_26K_3
+INSERTI-INSERTS-EINLAGEN cod. 6011365 (10pz.)

| Cod. MT | | N°Utensili N°Tools N°Werkzeuge | Reversibile lato mandrino/contromandrino Reversible sub/main spindle side Umkehrbare Spindel-seite/ Gegenspindel-seite | Lubr.esterna Ext. coolant Aussenkuehlung | Lubr.interna Coolant through Innenkuehlung |
|--|--|--------------------------------------|---|--|--|
| versione dx right version version rechts | versione sx left version version links | | | | |
| DW 02950126R | DW 02950126L | 1 | X | X | P=70bar |

HYUNDAI-W IA (KIA)

MOD: SE2200 M/LM/LMS/MA/LMA/LMSA/LMC/LMSC/Y/LY/LSY/YA/LYA/LSYA

PORTAUTENSILE RADIALE PER LAMA CON LUBRIFICAZIONE INTERNA

Radial blade holder with internal coolant

Radial Abstechhalter mit Innenkuehlung

Subject to change without notice.

M.T. srl

Via Casino Albini 480
Tel. 0541/956034-957884
Fax 0541/956341
47842 S. GIOVANNI IN M. (RN)
e-mail: mtma@mtmarchetti.com
http://www.mtmarchetti.com



KIA520-7-15