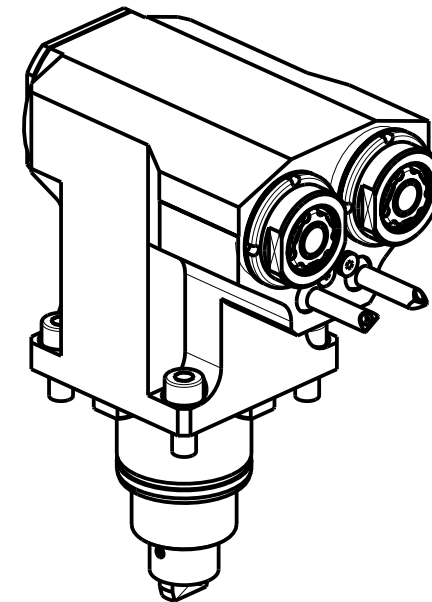
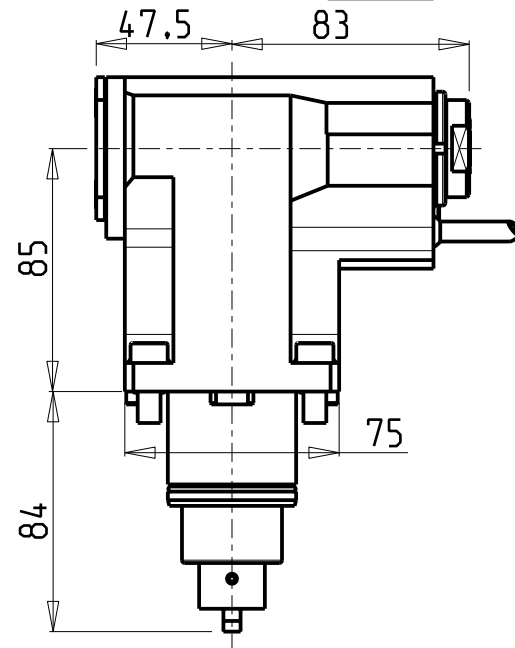
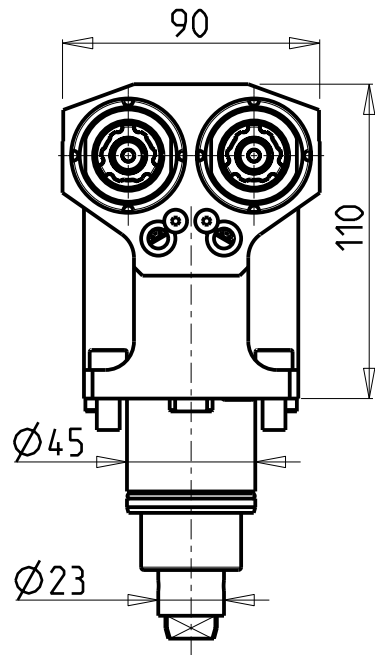
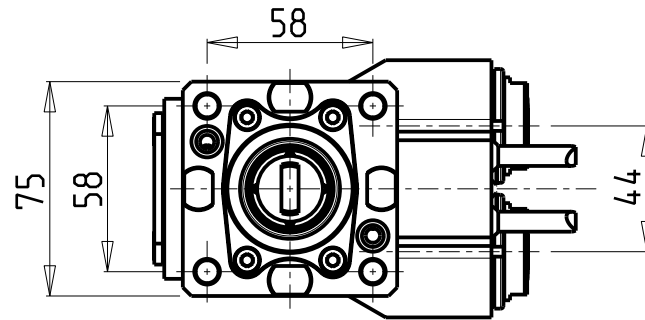


### ATTENZIONE - ATTENTION - ACHTUNG

- Per lo smontaggio degli utensili utilizzare sempre la chiave di contrasto come indicato nel manuale d'uso.
- For disassembly of the tools use always the contrast key as mentioned in the user instructions.
- Fuer das Abmontieren der Werkzeuge immer den Gegenschlüssel benutzen wie in der Bedienungsanleitung erwäohnt.



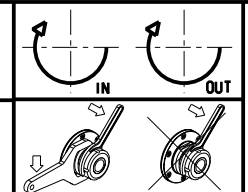
Cod. MT	Mandrino Spindle Spindel	I	RPM	Coppia Max Max Torque Max Drehmoment	Reversibile lato mandrino/contromandrino Reversible sub/main spindle side Umkehrbare Spindel-seite/ Gegenspindel-seite	Lubrificazione est. Ext. coolant Aussenkuehlung	CHIAVI NON INCLUSE Keys not included Schlüssel nicht einbegriffen		
DW01470216	ERA16	1:1	6000	30Nm	X	X	CHUB19_SP3	CHUB30	CHTAER16ZC *

- Chiave inclusa
- Key included
- Schlüssel inbegriffen

HYUNDAI-W IA (KIA)  
MOD: SE2200 Y/LY/LSY/YA/LYA/LSYA

MODULO MOTORIZZATO ASSIALE 2 USCITE IN Y  
Axial single side twin head driven tool in Y  
Axial angetriebenes Werkzeug 2 Ausgaenge in Y

Subject to change without notice.



**M.T. srl**  
Via Casino Albini 480  
Tel. 0541/956034-957884  
Fax 0541/956341  
47842 S. GIOVANNI IN M. (RN)  
e-mail: mtma@mtmarchetti.com  
http://www.mtmarchetti.com



KIA260-7-10