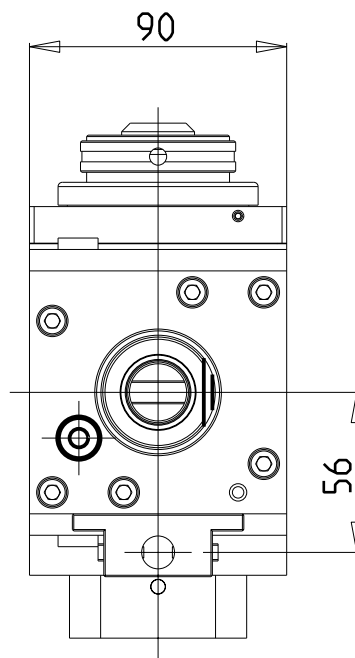
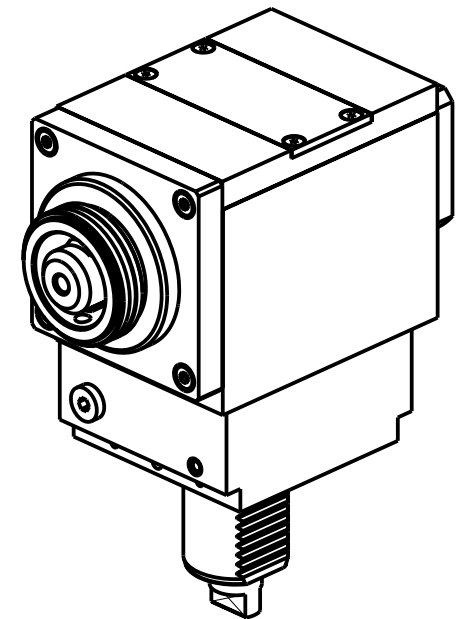
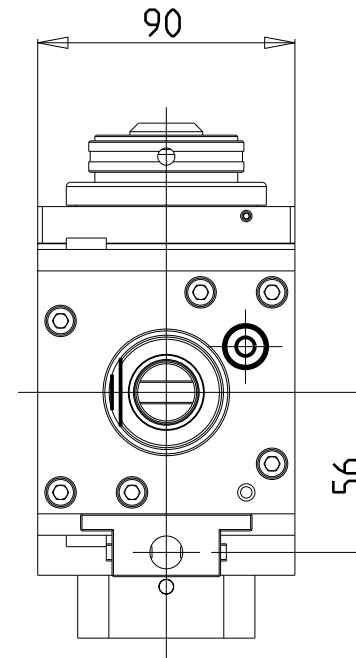


versione dx  
right version  
version rechts



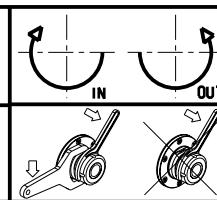
versione sx  
left version  
version links



Cod. MT	Cod. FAMAR	Mandrino Spindle Spindel	I	RPM	Coppia Max Max Torque Max Drehmoment	Lubrificazione int. Coolant through Innenkuehlung	Lubrificazione est. Ext. coolant Ausseinkuehlung	VDI
FMR0060250	A21.003.0016.000	HSK-C 50	2:1	4000	100Nm	P=70bar	X	DESTRO - Right - Recht
FMR0061250	A21.003.0025.000	HSK-C 50	2:1	4000	100Nm	P=70bar	X	SINISTRO - Left - Link

FAMAR  
VDI 40 DIN1809

MODULO MOTORIZZATO RADIALE HSK RIDOTTO I=2:1 VDI40 H=100mm  
Radial HSK geared-down I=2:1 driven tool VDI40 H=100mm  
Radial HSK angetriebenes Werkzeug untersetzt I=2:1 VDI40 H=100mm



**M.T. srl**  
Via Casino Albini 480  
Tel. 0541/956034-957884  
Fax 0541/956341  
47842 S. GIOVANNI IN M. (RN)  
e-mail: mtma@mtmarchetti.com  
http://www.mtmarchetti.com



Subject to change without notice.

09/2024