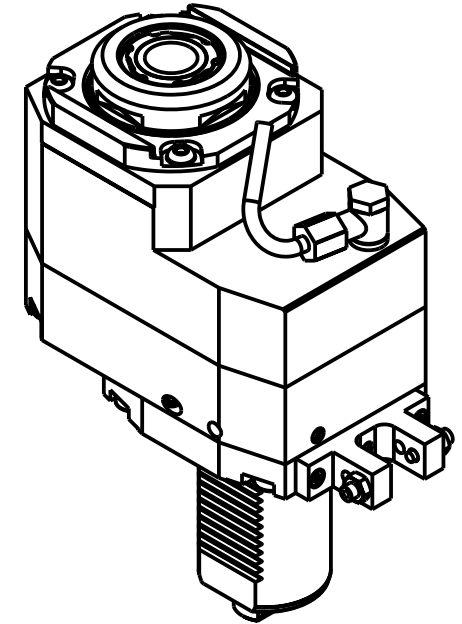
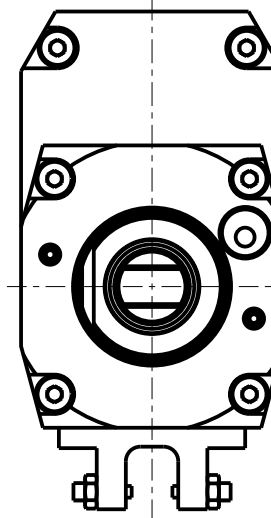
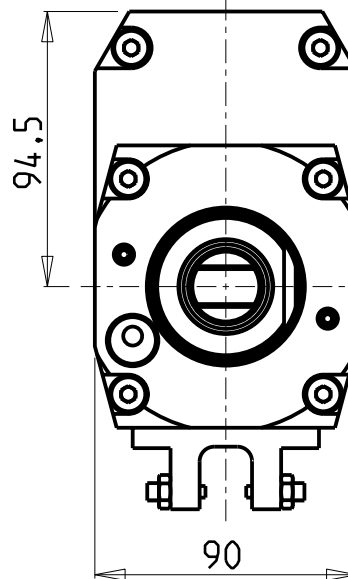


versione dx
right version
version rechts

versione sx
left version
version links

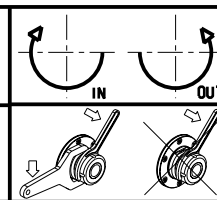


Cod. MT		Mandrino Spindle Spindel	I	RPM	Coppia Max Max Torque Max Drehmoment	Lubrificazione int. Coolant through Innenkuehlung	Lubrificazione est. Ext. coolant Aussenkuehlung	CHIAVI NON INCLUSE Keys not included Schlüssel nicht einbegriffen		
versione dx right version version rechts	versione sx left version version links							CHUB30	CHTAER32ZC *	OKU0430007 *
DUP0546132	DUP0547132	ERA32	1:2	8000	70Nm	-	X	CHUB30	CHTAER32ZC *	OKU0430007 *
DUP0546232	DUP0547232	ERA32	1:2	8000	70Nm	P=70bar	X	CHUB30	CHTAER32ZC *	OKU0430007 *

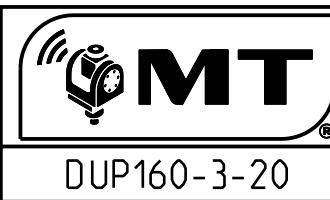
- Chiave inclusa
- Key included
- Schlüssel inbegriffen

DIPLOMATIC
VDI 50

MODULO MOTORIZZATO ASSIALE MOLTIPLICATO I=1:2 DISASSATO 50mm VDI50
Axial geared-up I=1:2 driven tool re-directed by 50mm VDI50
Axial angetriebenes Werkzeug uebersetzt I=1:2 achsversetzt um 50mm VDI50



M.T. srl
Via Casino Albini 480
Tel. 0541/956034-957884
Fax 0541/956341
47842 S. GIOVANNI IN M. (RN)
e-mail: mtma@mtmarchetti.com
http://www.mtmarchetti.com



Subject to change without notice.

09/2024