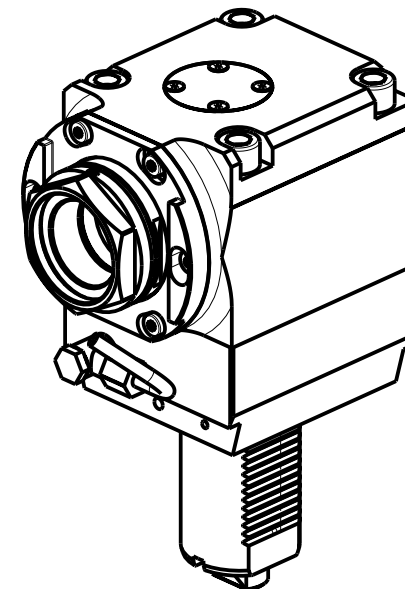
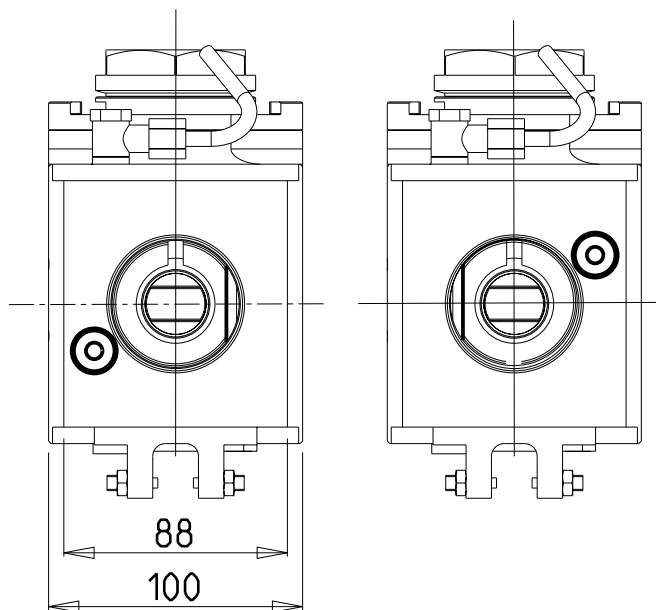


versione dx
right version
version rechts

versione sx
left version
version links



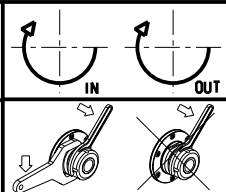
PER PORTAUTENSILI MODULARI MTSK-50 VEDI PAG. TBL300-1-50
FOR MTSK-50 QUIK CHANGE TOOLHOLDERS CLAMPINGS SEE PAGE TBL300-1-50
FUER MTSK-50 MODULARE WERKZEUGAUFNAHMEN SIEHE SEITE TBL300-1-50

Cod. MT		Mandrino Spindle Spindel	i	RPM	Coppia Max Max Torque Max Drehmoment	Lubrificazione int. Coolant through Innenkuehlung	Lubrificazione est. Ext. coolant Aussenkuehlung	B	CHIAVI NON INCLUSE Keys not included Schluessel nicht einbegriffen	
versione dx right version version rechts	versione sx left version version links									
DUP0210150	DUP0211150	MTSK-50	1:1	4000	100Nm	-	X	58	CHUB55	OKU0430007 *
DUP0210250	DUP0211250	MTSK-50	1:1	4000	100Nm	P=70bar	X	66.5	CHUB55	OKU0430007 *

- Chiave inclusa
- Key included
- Schluessel inbegriffen

DIPLOMATIC
VDI 50

MODULO MOTORIZZATO RADIALE MTSK VDI50
Radial MTSK driven tool VDI50
Radial MTSK angetriebenes Werkzeug VDI50



M.T. srl
Via Casino Albini 480
Tel. 0541/956034-957884
Fax 0541/956341
47842 S. GIOVANNI IN M. (RN)
e-mail: mtma@mtmarchetti.com
http://www.mtmarchetti.com



DUP153-3-10-K

Subject to change without notice.

09/2024