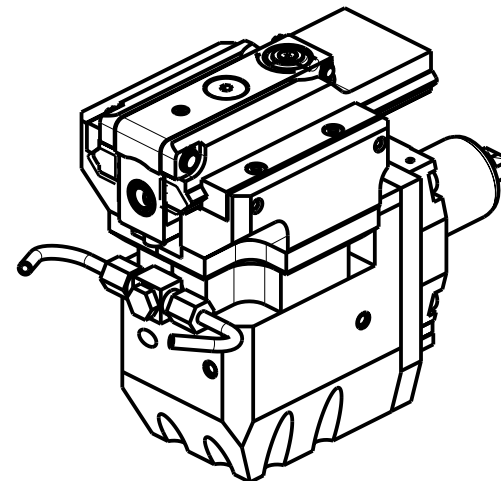
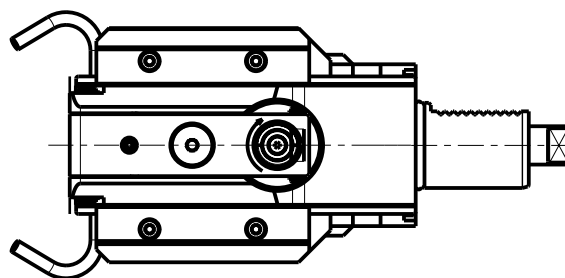
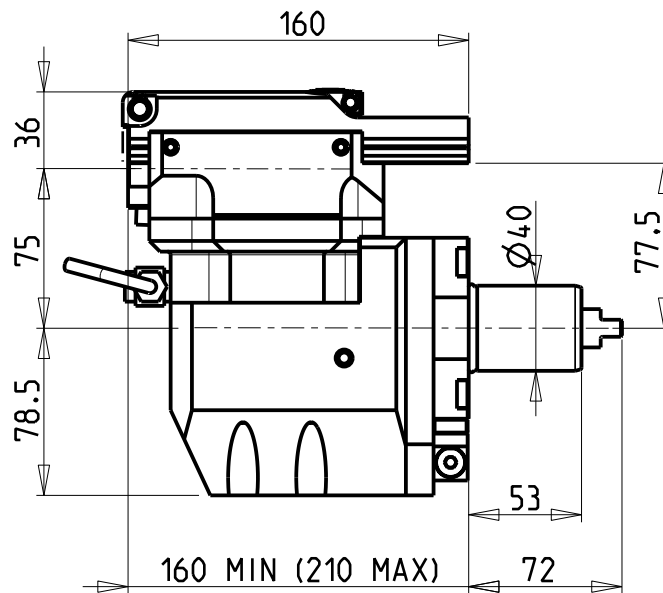
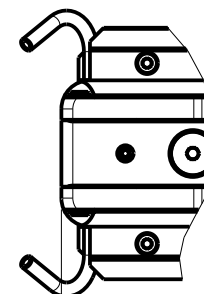
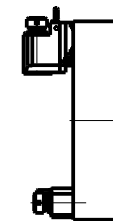


versione sx
left version
version links

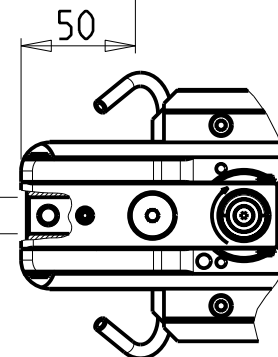
versione dx
right version
version rechts



TORRETTE ASSIALI
AXIAL TURRETS
AXIAL REVOLVER



TOOL DIAMETER
Ø16



DOTAZIONI - SUPPLIED WITH - AUSSTATTUNG

N°1 Boccola di riduz. Ø16-Ø12 e N°1 Boccola di riduz. Ø16-Ø10
N°1 Reduction bush Ø16-Ø12 and N°1 Reduction bush Ø16-Ø10
N°1 Reduzierbuchsen Ø16-Ø12 und N°1 Reduzierbuchsen Ø16-Ø10

PER UTENSILI STOZZATORI VEDI PAG. TBL400-1-00
FOR DRIVEN SLOTTING TOOL CUTTING-TOOLS SEE PAGE TBL400-1-00
FÜR NUTENSTOSS-WERKZEUG SCHNEIDWERKZEUGE SIEHE SEITE TBL400-1-00

Cod. MT	I	RPM MAX	Lubr. esterna Ext. coolant Aussenkuehlung	VDI
DUP0440100	4:1	2000	X	DESTRO - Right - Recht
DUP0441100	4:1	2000	X	SINISTRO - Left - Link

DIPLOMATIC
VDI 40

MODULO MOTORIZZATO STOZZATORE CORSA 50mm VDI40
Slotting driven tool 50mm stroke VDI40
Keilnutenstossmaschine 50mm Hub VDI40

Subject to change without notice.

M.T. srl

Via Casino Albini 480
Tel. 0541/956034-957884
Fax 0541/956341
47842 S. GIOVANNI IN M. (RN)
e-mail: mtma@mtmarchetti.com
http://www.mtmarchetti.com



DUP360-2-30