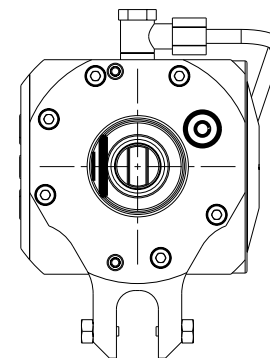
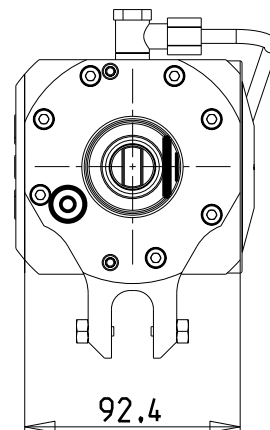
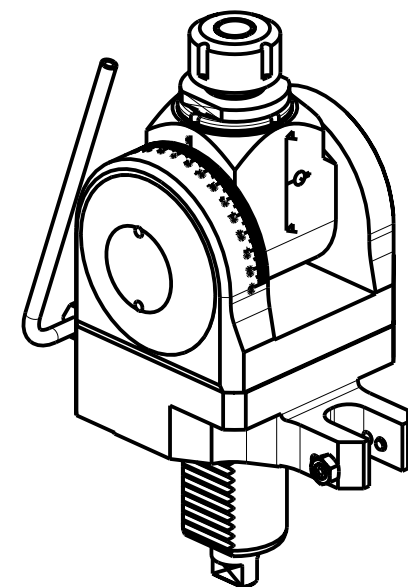
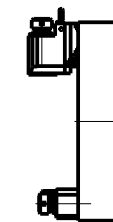


versione dx
right version
version rechts

versione sx
left version
version links



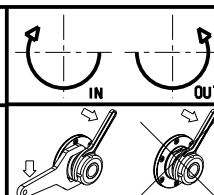
TORRETTE ASSIALI
AXIAL TURRETS
AXIAL REVOLVER



Cod. MT		Mandrino Spindle Spindel	I	RPM	Coppia Max Max Torque Max Drehmoment	Lubrificazione est. Ext. coolant Aussenkuehlung	A	A1	D	L	CHIAVI INCLUSE Keys included Schluesssel einbegriffen	
versione dx right version version rechts	versione sx left version version links										CHUB36	CHSTER
DUP0490120	DUP0491120	ER20	1:1	6000	40Nm	X	85.16	-	-	-	CHUB36	CHSTER20
DUP0490125	DUP0491125	ER25	1:1	6000	40Nm	X	86.16	-	-	-	CHUB36	CHSTER25
DUP0490516	DUP0491516	Ø16x17	1:1	6000	40Nm	X	-	65	16	17	CHUB36	CH_VTCROCE_M08
DUP0490522	DUP0491522	Ø22x19	1:1	6000	40Nm	X	-	66	22	19	CHUB36	CH_VTCROCE_M10
DUP0490519	DUP0491519	Ø3/4"x3/4"	1:1	6000	40Nm	X	-	65	3/4"	3/4"	CHUB36	CH_VTCROCE_M08

DIPLOMATIC
VDI 40

MODULO MOTORIZZATO ORIENTABILE ±90° VDI40
±90° adjustable angle driven tool VDI40
Angetriebenes Werkzeug schwenkbar ±90° VDI40



M.T. srl

Via Casino Albini 480
Tel. 0541/956034-957884
Fax 0541/956341
47842 S. GIOVANNI IN M. (RN)
e-mail: mtma@mtmarchetti.com
http://www.mtmarchetti.com



DUP333-2-00

Subject to change without notice.

09/2024