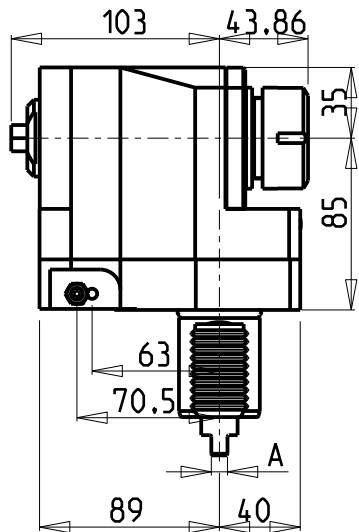
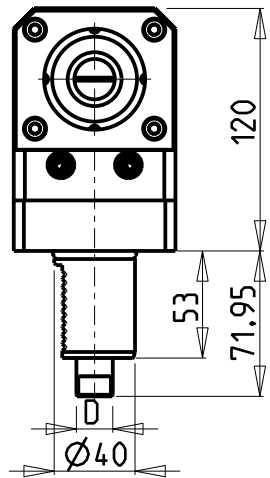
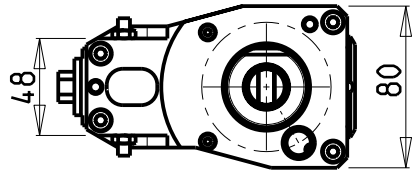
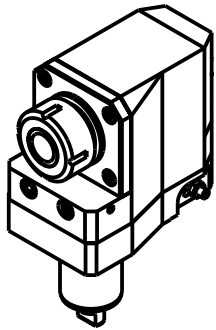
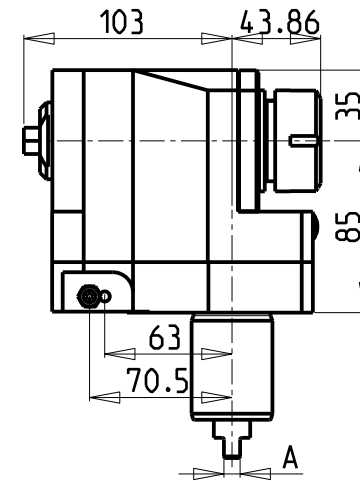
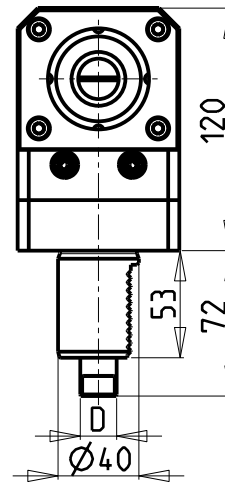
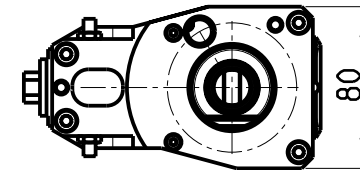
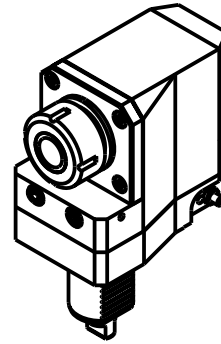


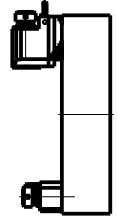
VDI SINISTRO
VDI Left hand
VDI Link



VDI DESTRO
VDI Right hand
VDI Recht



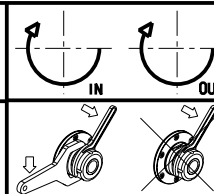
TORRETTE ASSIALI
AXIAL TURRETS
AXIAL REVOLVER



Cod. MT	Mandrino Spindle Spindel	i	RPM	Coppia Max Torque Max Max Drehmoment	Lubrificazione est. Ext. coolant Aussekkuehlung	Torretta Turret Revolver	A	D	CHIAVI NON INCLUSE Keys not included Schlüssel nicht einbegriffen		VDI
141DUP_R32_40A20	ER32	1:1	6000	70Nm	X	DIPLOMATIC	8	18	CHSTER32	CHUB13	SINISTRO - Left - Link
141DUP_R32_40A21	ER32	1:1	6000	70Nm	X	DIPLOMATIC COMEV	6	12	CHSTER32	CHUB13	SINISTRO - Left - Link
141DUP_R32_40A00	ER32	1:1	6000	70Nm	X	DIPLOMATIC	8	18	CHSTER32	CHUB13	DESTRO - Right - Recht
141DUP_R32_40A01	ER32	1:1	6000	70Nm	X	DIPLOMATIC COMEV	6	12	CHSTER32	CHUB13	DESTRO - Right - Recht

DIPLOMATIC
VDI 40

MODULO MOTORIZZATO RADIALE ARRETRATO VDI40 H=85mm
Radial rear-set driven tool VDI40 H=85mm
Radial angetriebenes Werkzeug zurueckversetzt VDI40 H=85mm



M.T. srl

Via Casino Albini 480
Tel. 0541/956034-957884
Fax 0541/956341
47842 S. GIOVANNI IN M. (RN)
e-mail: mtma@mtmarchetti.com
http://www.mtmarchetti.com



DUP013-2-00

Subject to change without notice.

09/2024