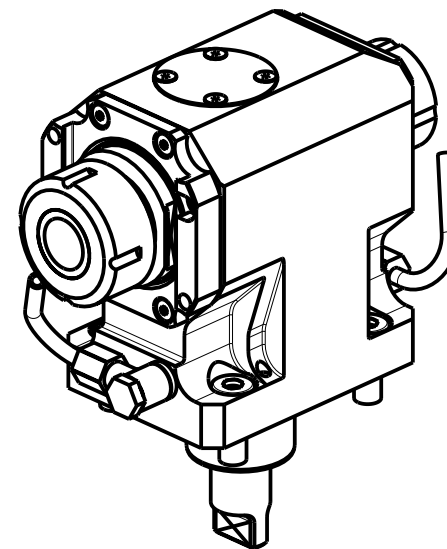


**ATTENZIONE - ATTENTION - ACHTUNG**

- Per lo smontaggio degli utensili utilizzare sempre la chiave di contrasto come indicato nel manuale d'uso.
- For disassembly of the tools use always the contrast key as mentioned in the user instructions.
- Fuer das Abmontieren der Werkzeuge immer den Gegenschlüssel benutzen wie in der Bedienungsanleitung erwaeht.



| Cod. MT    | Mandrino<br>Spindle<br>Spindel | I   | RPM   | Coppia Max<br>Max Torque<br>Max Drehmoment | Reversibile lato<br>mandrino/contromandrino<br>Reversible sub/main<br>spindle side<br>Umkehrbare Spindel-seite/<br>Gegenspindel-seite | Lubr.esterna<br>Ext. coolant<br>Aussenkuehlung | CHIAVI NON INCLUSE<br>Keys not included<br>Schlüssel nicht einbegriffen |          |              |
|------------|--------------------------------|-----|-------|--|---|--|---|----------|--------------|
| MNZ0493225 | ER32+ER25                      | 1:1 | 12000 | 40Nm                                       | X   | X  | CHSTER32  | CHSTER25 | MNZ0410005 • |

- Chiave inclusa
- Key included
- Schlüssel inbegriffen

**DMG-MORI**

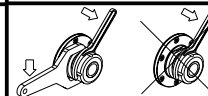
NZ1500/2000 - NZX1500/2000 - NL1500/2000/2500 20 STAZ. - NLX1500/2000/2500 20 STAZ. - NTX500 (BMT40)  
 NTX1000/2000 - ALC/ALX1500/2000/2500 (BMT40) - NZ DUE/TRE/QUATTRO (BMT40)

**MODULO MOTORIZZATO ASSIALE BISPORGENTE 12000 RPM**

Axial opposite face twin driven tool 12000 rpm

Axial angetriebenes Werkzeug halb vorspringend 12000 rpm

Subject to change without notice.



**M.T. srl**

Via Casino Albini 480  
 Tel. 0541/956034-957884  
 Fax 0541/956341  
 47842 S. GIOVANNI IN M. (RN)  
 e-mail: mtma@mtmarchetti.com  
 http://www.mtmarchetti.com



**MNZ240-1-11**