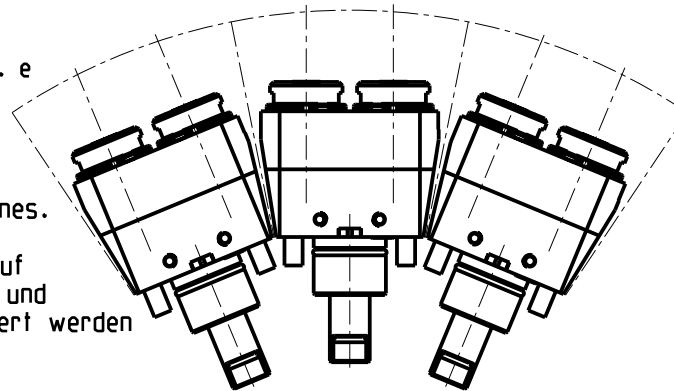


-Si possono montare affiancati anche su macchine NZX1500/2000 16ST. e NL-NLX1500/2000/2500 20ST.

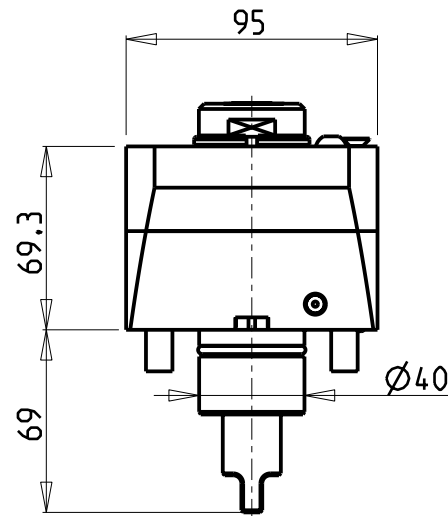
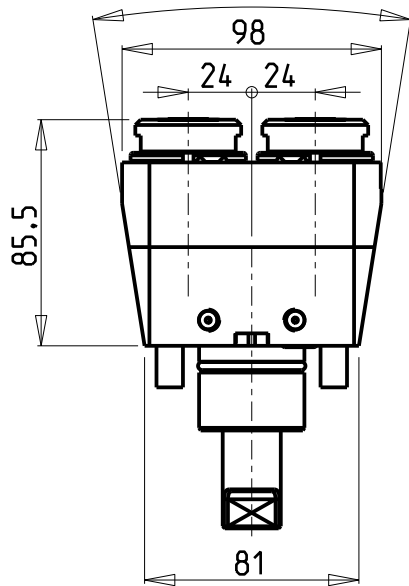
- Can be mounted side by side also on NZX1500/2000 16ST. and NL-NLX1500/2000/2500 20ST. machines.

-Sie koennen auch Seite an Seite auf den Maschinen NZX1500/2000 16ST. und NL-NLX1500/2000/2500 20ST. montiert werden

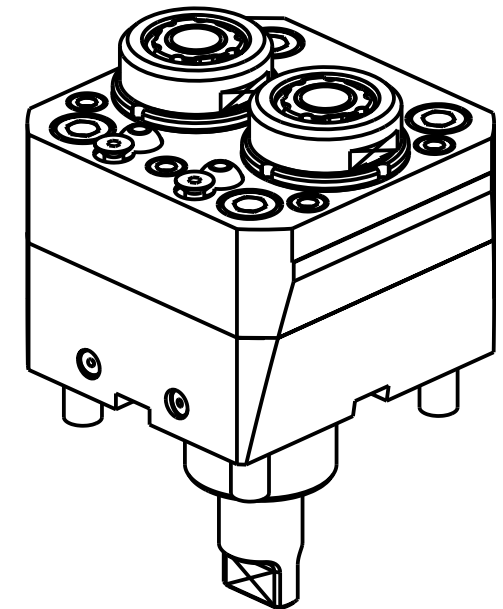


**ATTENZIONE - ATTENTION - ACHTUNG**

- Per lo smontaggio degli utensili utilizzare sempre la chiave di contrasto come indicato nel manuale d'uso.
- For disassembly of the tools use always the contrast key as mentioned in the user instructions.
- Fuer das Abmontieren der Werkzeuge immer den Gegenschuessel benutzen wie in der Bedienungsanleitung erwaehnt.



- Chiave inclusa
- Key included
- Schluessel inbegriffen



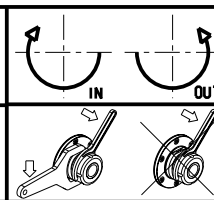
| Cod. MT    | Mandrino Spindle Spindel | I   | RPM  | Coppia Max Max Torque Max Drehmoment | Lubrificazione int. Coolant through Innenkuehlung | Lubrificazione est. Ext. coolant Aussenkuehlung | CHIAVI NON INCLUSE<br>Keys not included<br>Schluessel nicht inbegriffen |        |              |
|------------|--------------------------|-----|------|--------------------------------------|---|---|---|--------|--------------|
| MNZ0690320 | ERA20                    | 1:1 | 6000 | 30Nm                                 | -   | X   | CHUB36  | CHUB22 | CHTAER20ZC ■ |
| MNZ0690420 | ERA20                    | 1:1 | 6000 | 30Nm                                 | P=70bar   | X   | CHUB36  | CHUB22 | CHTAER20ZC ■ |

DMG-MORI

NZ1500/2000 - NZX1500/2000 - NT3100/3150/3200 - NL1500/2000/2500 20 STAZ. - NLX1500/2000/2500 20 STAZ. - NT1000/2000 - NTX500 (BMT40)  
 NTX1000/2000/2500/3000 2ND GEN. 12ST. - DURATURN 2050MC/2550MC - ALC/ALX1500/2000/2500 (BMT40) - ECOTURN 450 (BMT40) - NZ DUE/TRE/QUATTRO (BMT40)

MODULO MOTORIZZATO RADIALE 2 USCITE IN Y  
 Radial single side twin head driven tool in Y  
 Radial angetriebenes Werkzeug 2 Ausgaenge in Y

Subject to change without notice.



**M.T. srl**

Via Casino Albini 480  
 Tel. 0541/956034-957884  
 Fax 0541/956341  
 47842 S. GIOVANNI IN M. (RN)  
 e-mail: mtma@mtmarchetti.com  
 http://www.mtmarchetti.com



MNZ080-1-05