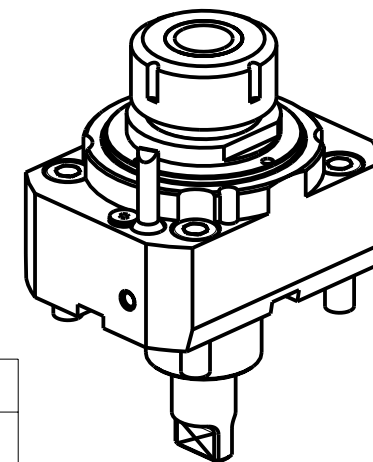


CUSCINETTI MAGGIORATI PER LAVORAZIONI PESANTI

Reinforced bearings for
heavy machining

Vergroesserte lager fuer
schwerere Bearbeitungen



- Chiave inclusa
- Key included
- Schluessel inbegriffen

Cod. MT	Mandrino Spindle Spindel	I	RPM	Coppia Max Max Torque Max Drehmoment	Lubrificazione int. Coolant through Innenkuehlung	Lubrificazione est. Ext. coolant Aussenkuehlung	A	A1	D	L	CHIAVI NON INCLUSE Keys not included Schluessel nicht inbegriffen		
MNZ0360132	ER32	1:1	6000	40Nm		X	89.66	-	-	-	CHSTER32	CHUB46	
MNZ0730440	ERA40	1:1	6000	40Nm	P=70bar	X	89.7	-	-	-	CHTAER40ZC	MNZ0410005	CHUB36
MNZ0360516	Ø16x17	1:1	6000	40Nm		X	-	68	16	17	CH_VTCROCE_M08	CHUB46	
MNZ0360519	Ø3/4"x3/4"	1:1	6000	40Nm		X	-	68	3/4"	3/4"	CH_VTCROCE_M08	CHUB46	
MNZ0360522	Ø22x19	1:1	6000	40Nm		X	-	68	22	19	CH_VTCROCE_M10	CHUB46	

DMG-MORI

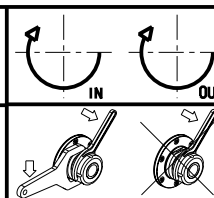
NZ-NZX1500/2000 - NZX2500 (BMT40) - NT3100/3150/3200 - NL1500/2000/2500 20 STAZ. - NLX1500/2000/2500 20 STAZ. - NT1000/2000 - NTX500 (BMT40) - NTX1000/2000
NTX1000/2000/2500/3000 2ND GEN. 12ST. - DURATURN 2050MC/2550MC - NRX2000 - ALC/ALX1500/2000/2500 (BMT40) - ECOTURN 450 (BMT40) - NZ DUE/TRE/QUATTRO (BMT40)

MODULO MOTORIZZATO RADIALE MAGGIORATO

Radial reinforced driven tool

Radial angetriebenes Werkzeug vergroessert

Subject to change without notice.



M.T. srl

Via Casino Albini 480
Tel. 0541/956034-957884
Fax 0541/956341

47842 S. GIOVANNI IN M. (RN)
e-mail: mtma@tmarchetti.com
http://www.tmmarchetti.com



MNZ020-1-00