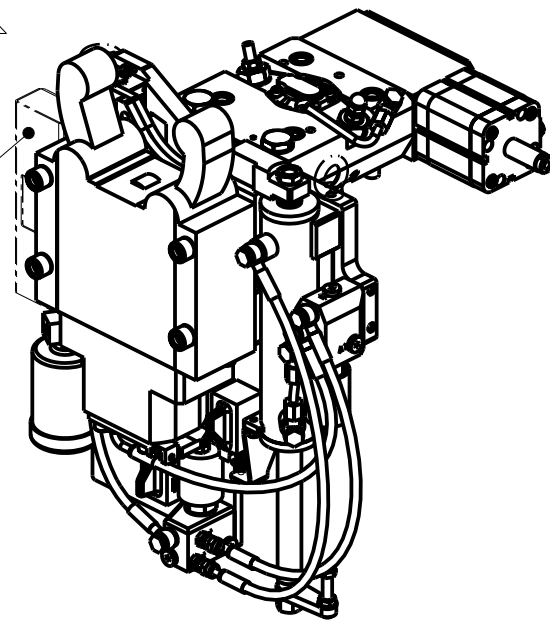


- # CON GESTIONE ELETTRONICA
APERTURA COMPLETA DELLA LUNETTA
- # With Electronic control of steady
rest arms complete opening
- # Mit vollständiger elektronischer
Öffnungsbedienung der Luenette

| Cod. MT | I | RPM | Lubr. esterna Ext. coolant Aussenkuehlung | |
|----------------|-----|------|---|---|
| MNL0560300 | 1:1 | 6000 | X | |
| # MNL0560300EU | 1:1 | 6000 | X | EUROPE - AFRICA - MIDDLE EAST - NORTH ASIA |
| # MNL0560300US | 1:1 | 6000 | X | USA - CANADA - MEXICO - AUSTRALIA - SOUTH ASIA |
| # MNL0560300JP | 1:1 | 6000 | X | JAPAN |

Only for
MNL0560300JP



DMG-MORI
NZL2000/2500 - NZX2500 (BMT60) - NT4200/4250/4300/5400

MODULO MOTORIZZATO PER LUNETTA RETRATTILE (TAGLIA 2)
Driven toolholder for sliding steady rest (Size 2)
Luenettenwerkzeug zurueck versetzte Version (Grossse 2)

M.T. srl
Via Casino Albini 480
Tel. 0541/956034-957884
Fax 0541/956341
47842 S. GIOVANNI IN M. (RN)
e-mail: mtma@mtmarchetti.com
<http://www.mtmarchetti.com>



MNL363-1-00

Subject to change without notice.

09/2024