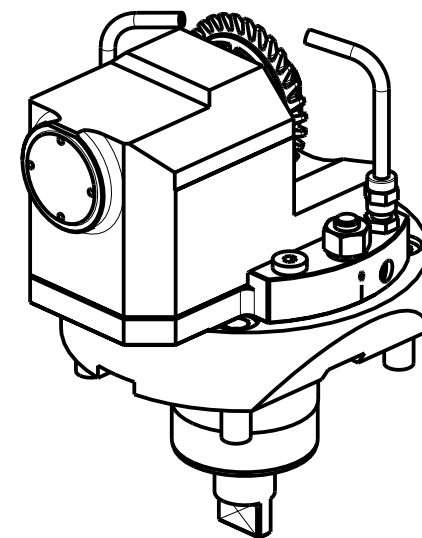


INCLINAZIONE
REGOLABILE ±31°



Cod. MT	Mandrino Spindle Spindel	I	RPM	Coppia Max Max Torque Max Drehmoment	Lubrificazione est. Ext. coolant Auslenkung	ØD	H	CHIAVI INCLUSE Keys included Schlüssel einbegriffen			
MNL0378022	Ø22x12	1:1	6000	50Nm	X	63-70-80	MAX 12	CHUB38	CHUB17	CHESL10	CHESL08
MNL0378125	Ø1"x12	1:1	6000	50Nm	X	63-70-80	MAX 12	CHUB38	CHUB17	CHESL10	CHESL08

DMG-MORI

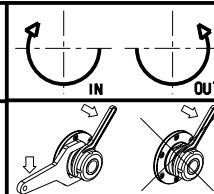
NL1500/2000/2500/3000 12 STAZIONI - NLX1500/2000/2500/3000 12 STAZIONI - NLX4000 - NZL2000/2500 - NZX2500 (BMT60)
NT4200/4250/4300/5400 - NTX2000/2500/3000 2ND GEN. 10ST. - CTX2500 (BMT60)

MODULO MOTORIZZATO PER VITI SENZA FINE

Driven tool for worm screws

Angetriebenes Werkzeug fuer schrauben ohne ende

Subject to change without notice.



M.T. srl

Via Casino Albini 480
Tel. 0541/956034-957884
Fax 0541/956341

47842 S. GIOVANNI IN M. (RN)
e-mail: mtma@tmarchetti.com
http://www.tmmarchetti.com



MNL359-1-00