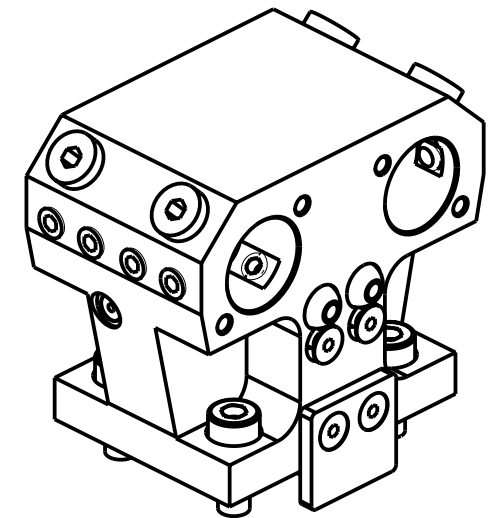
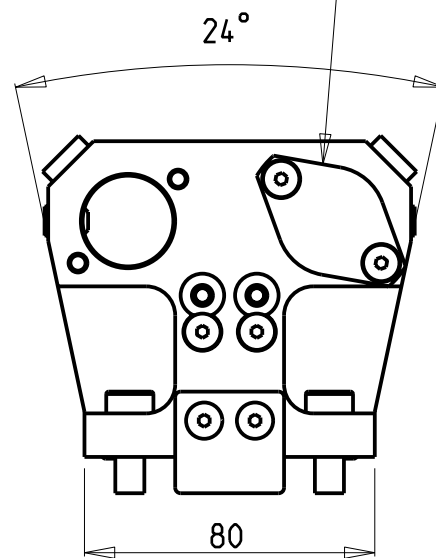
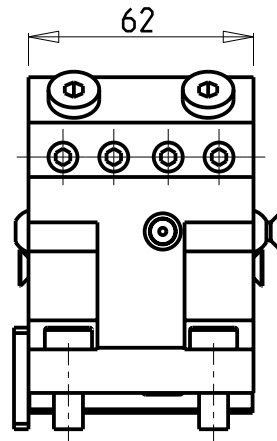
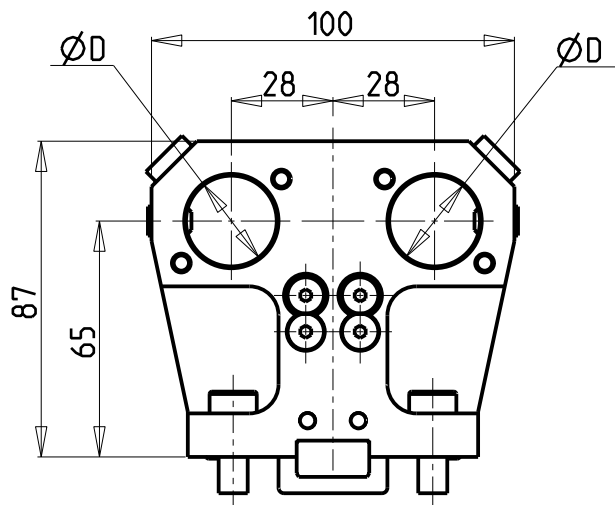


KIT ADDUZIONE INTERNA (OPZIONALE)  
 KIT FOR INTERNAL COOLANT (OPTIONAL)  
 KIT FUER INTERNE KUEHLMITTELZUFUHR (OPTIONAL)  
 Ø25mm cod. KIT1000006



Cod. MT	Reversibile lato mandrino/contromandrino Reversible sub/main spindle side Umkehrbare Spindel-seite/ Gegenspindel-seite	Lubrificazione int. opzionale Coolant through optional Innenkuehlung Optional	Lubrificazione est. Ext. coolant Aussenkuehlung	Misure Dimensions Masse	D
NKM2002500	X	X	X	mm	25

CMZ  
 MOD: TTS 38 - TTS 46 - TTS 52 - TTS 66

PORTAUTENSILE ASSIALE PER BARENO 2 POSIZIONI IN Y Ø25mm H=65mm  
 Axial double boring bar holder 2 positions in Y Ø25mm H=65mm  
 Axial Bohrhalter 2 Positionen in Y Ø25mm H=65mm

**M.T. srl**  
 Via Casino Albini 480  
 Tel. 0541/956034-957884  
 Fax 0541/956341  
 47842 S. GIOVANNI IN M. (RN)  
 e-mail: mtma@mtmarchetti.com  
 http://www.mtmarchetti.com



CMZ864-4-30

Subject to change without notice.

09/2024