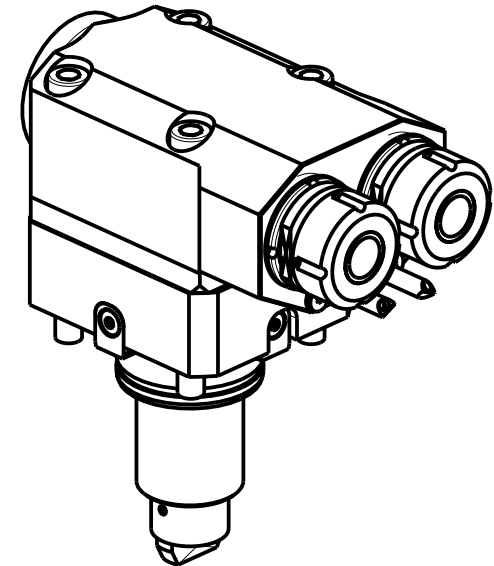
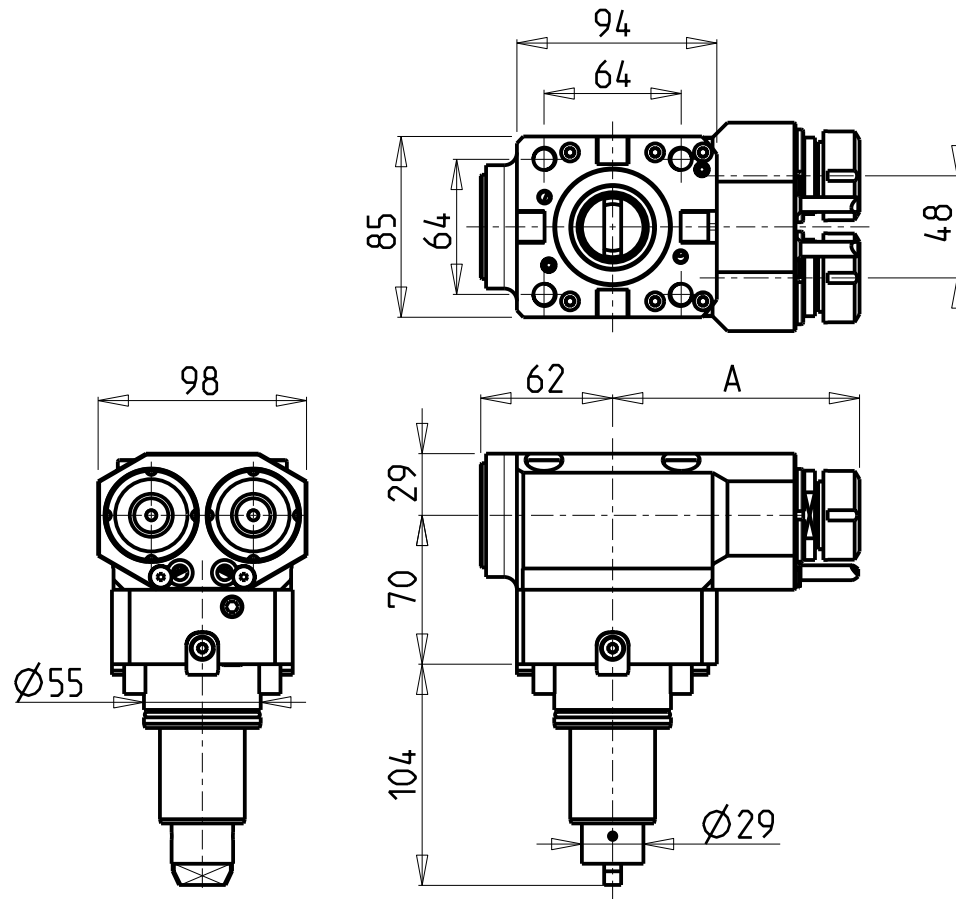


ATTENZIONE - ATTENTION - ACHTUNG

- Per lo smontaggio degli utensili utilizzare sempre la chiave di contrasto come indicato nel manuale d'uso.
- For disassembly of the tools use always the contrast key as mentioned in the user instructions.
- Fuer das Abmontieren der Werkzeuge immer den Gegenschlüssel benutzen wie in der Bedienungsanleitung erwäehnt.



| Cod. MT | Mandrino Spindle Spindel | I | RPM | Coppia Max Max Torque Max Drehmoment | Reversibile lato mandrino/contromandrino Reversible sub/main spindle side Umkehrbare Spindel-seite/ Gegenspindel-seite | Lubrificazione est. Ext. coolant Aussenkuehlung | A | CHIAVI NON INCLUSE Keys not included Schluessel nicht einbegriffen | |
|------------|--------------------------|-----|------|--------------------------------------|------------------------------------------------------------------------------------------------------------------------|-------------------------------------------------|--------|--------------------------------------------------------------------|------------|
| | | | | | | | | CHMNER16 | CHUB17 |
| DW00102216 | ER16 | 1:1 | 6000 | 30Nm | X | X | 115.15 | CHMNER16 | CHUB17 |
| DW00102225 | ER25 | 1:1 | 6000 | 30Nm | X | X | 115.61 | CHSTER25 | MNL0210007 |

DN SOLUTIONS (DOOSAN) BMT 55

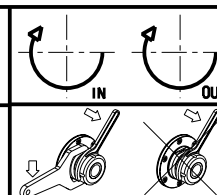
MOD: PUMA 1500-2000-2100-2500-2600M/MS/Y/SY - PUMA 2100-2600Y/SY 16ST. - LYNX 2600 Y/SY 12ST./16ST.

MODULO MOTORIZZATO ASSIALE 2 USCITE IN Y H=70mm

Axial single side twin head driven tool in Y H=70mm

Axial angetriebenes Werkzeug 2 Ausgaenge in Y H=70mm

Subject to change without notice.



M.T. srl

Via Casino Albini 480
Tel. 0541/956034-957884
Fax 0541/956341
47842 S. GIOVANNI IN M. (RN)
e-mail: mtma@mtmarchetti.com
http://www.mtmarchetti.com



DW0260-2-20