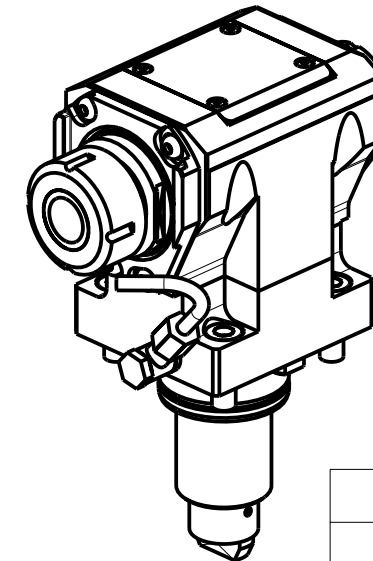
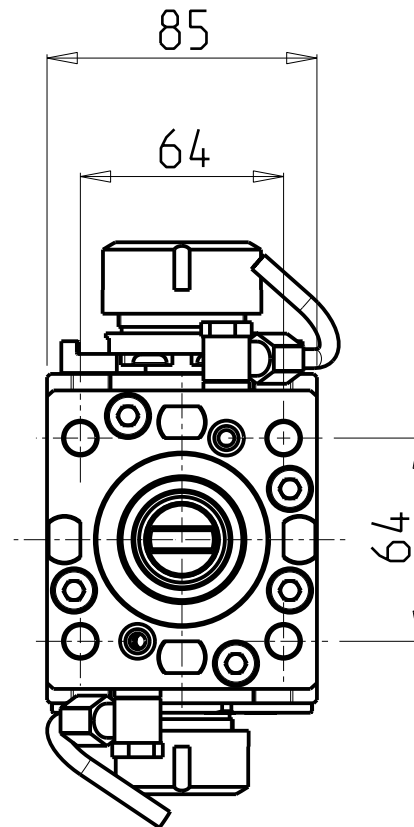
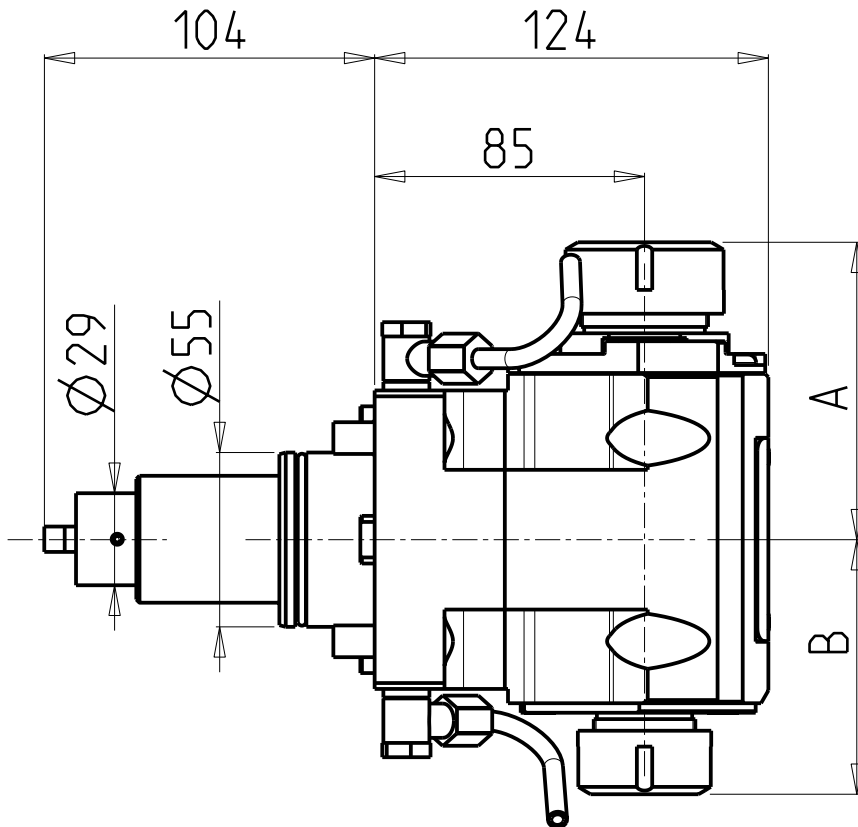


ATTENZIONE - ATTENTION - ACHTUNG

- Per lo smontaggio degli utensili utilizzare sempre la chiave di contrasto come indicato nel manuale d'uso.
- For disassembly of the tools use always the contrast key as mentioned in the user instructions.
- Fuer das Abmontieren der Werkzeuge immer den Gegenschlüssel benutzen wie in der Bedienungsanleitung erwaeht.



- Chiave inclusa
- Key included
- Schlüssel inbegriffen

CHIAVI NON INCLUSE
Keys not included
Schlüssel nicht einbegriffen

| Cod. MT | Mandrino Spindle Spindel | I | RPM | Coppia Max Max Torque Max Drehmoment | Reversibile lato mandrino/contromandrino Reversible sub/main spindle side Umkehrbare Spindel-seite/ Gegenspindel-seite | Lubrificazione est. Ext. coolant Ausseukuehlung | A | B | | | | | |
|-------------|--------------------------|-----|------|--------------------------------------|--|---|-------|-------|----------|----------|------------|------------|------------|
| DW 01723225 | ER32+ER25 | 1:1 | 6000 | 50Nm | X | X | 93.66 | 80.16 | CHSTER32 | CHSTER25 | OKU0650004 | - | - |
| DW 01722520 | ERA25+ERA20 | 1:1 | 6000 | 50Nm | X | X | 65 | 55.5 | CHUB22 | CHUB27 | OKU0650004 | CHTAER20ZC | CHTAER25ZC |

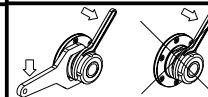
DN SOLUTIONS (DOOSAN) BMT 55

MOD: PUMA 230-240M/MS-280LM - PUMA 1500-2000-2100-2500-2600M/MS/Y/SY - LINX 300 M - PUMA TT1500-1800-2100MS/SY/SYY
PUMA TL2000-2500 (M) - MX1600/2100ST 12ST. - SMX2100ST - LYNX 2600 Y/SY 12ST.

MODULO MOTORIZZATO ASSIALE BISPORGENTE H=85mm

Axial opposite face twin driven tool H=85mm

Axial angetriebenes Werkzeug halb vorspringend H=85mm



M.T. srl

Via Casino Albini 480
Tel. 0541/956034-957884
Fax 0541/956341
47842 S. GIOVANNI IN M. (RN)
e-mail: mtma@mtmarchetti.com
http://www.mtmarchetti.com



DW 0240-2-31

Subject to change without notice.

03/2024