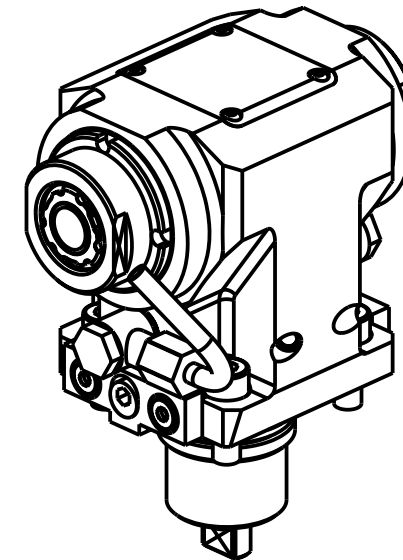
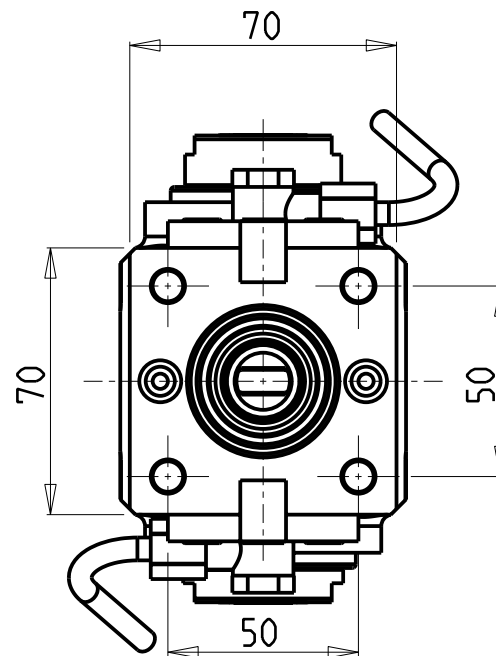
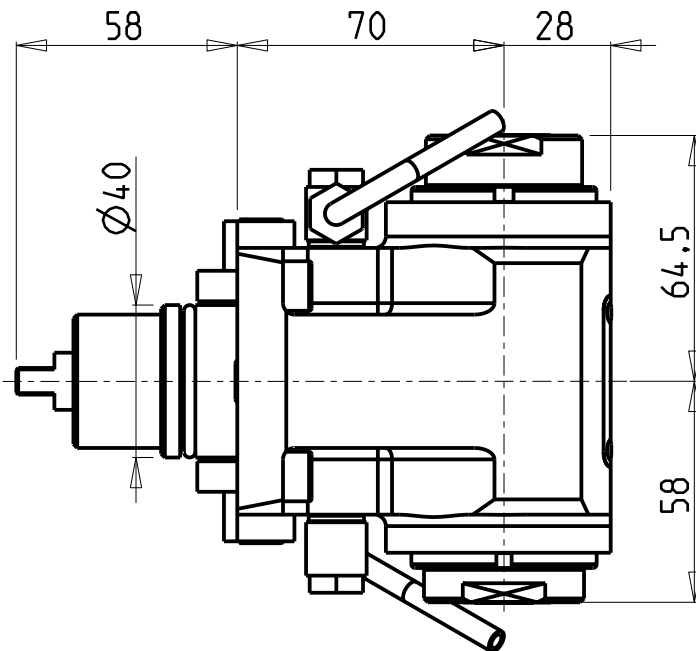


**ATTENZIONE - ATTENTION - ACHTUNG**

- Per lo smontaggio degli utensili utilizzare sempre la chiave di contrasto come indicato nel manuale d'uso.
- For disassembly of the tools use always the contrast key as mentioned in the user instructions.
- Fuer das Abmontieren der Werkzeuge immer den Gegenschlüssel benutzen wie in der Bedienungsanleitung erwaeht.



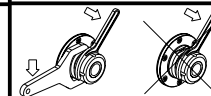
Cod. MT	Mandrino Spindle Spindel	I	RPM	Coppia Max Max Torque Max Drehmoment	Reversibile lato mandrino/contromandrino Reversible sub/main spindle side Umkehrbare Spindel-seite/ Gegenspindel-seite	Lubrificazione est. Ext. coolant Aussenkuehlung	CHIAVI NON INCLUSE Keys not included Schlüssel nicht einbegriffen		
BGL1352020	ERA20+ERA20	1:1	6000	30Nm	X	X	CHUB22	CHUB36	CHTAER20ZC *

- Chiave inclusa
- Key included
- Schlüssel inbegriffen

**BIGLIA**  
MOD: B436/438 - BMX 45Y2

MODULO MOTORIZZATO ASSIALE BISPORGENTE H=70mm  
Axial opposite face twin driven tool H=70mm  
Axial angetriebenes Werkzeug halb vorspringend H=70mm

Subject to change without notice.



**M.T. srl**  
Via Casino Albini 480  
Tel. 0541/956034-957884  
Fax 0541/956341  
47842 S. GIOVANNI IN M. (RN)  
e-mail: mtma@mtmarchetti.com  
http://www.mtmarchetti.com



PAGINA BGL240-2-10