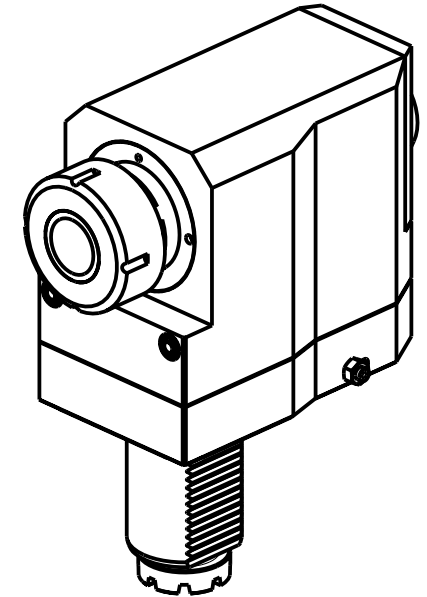
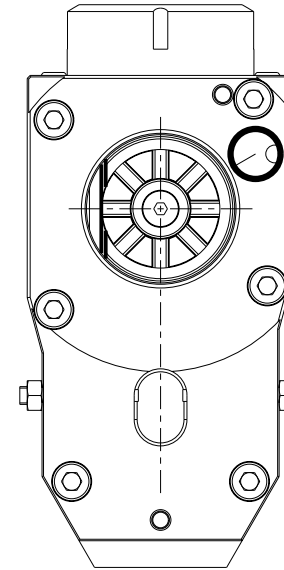
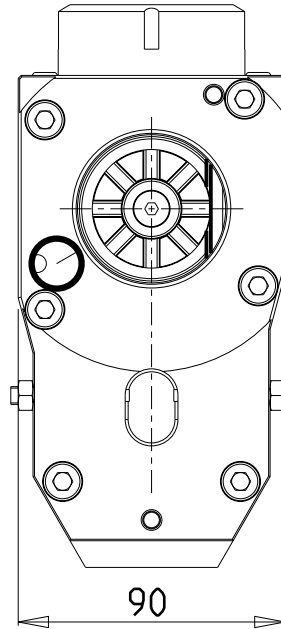


versione dx  
right version  
version rechts

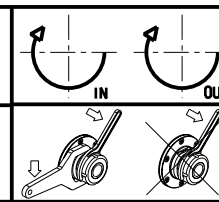
versione sx  
left version  
version links



Cod. MT	Mandrino Spindle Spindel	I	RPM	Coppia Max Max Torque Max Drehmoment	Lubrificazione est. Ext. coolant Aussenkuehlung	CHIAVI NON INCLUSE Keys not included Schlüssel nicht einbegriffen		VDI
181BAR_R40_50C00	ER40	1:1	4000	100Nm	X	CHSTER40	CHUB42	DESTRO - Right - Recht
181BAR_R40_50C20	ER40	1:1	4000	100Nm	X	CHSTER40	CHUB42	SINISTRO - Left - Links

BARUFFALDI  
VDI 50

MODULO MOTORIZZATO RADIALE VDI50  
Radial driven tool VDI50  
Radial angetriebenes Werkzeug VDI50



**M.T. srl**  
Via Casino Albini 480  
Tel. 0541/956034-957884  
Fax 0541/956341  
47842 S. GIOVANNI IN M. (RN)  
e-mail: mtma@mtmarchetti.com  
http://www.mtmarchetti.com



Subject to change without notice.

09/2024