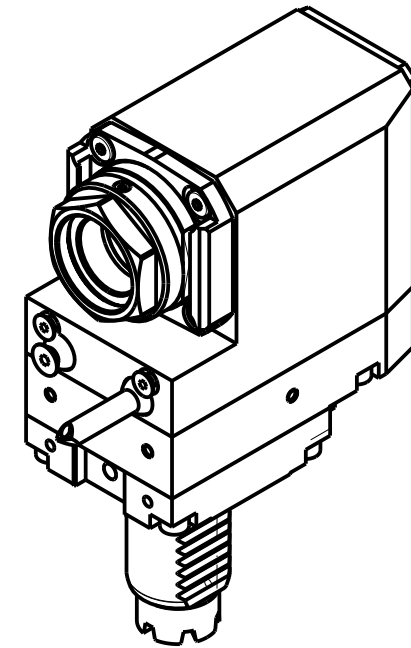
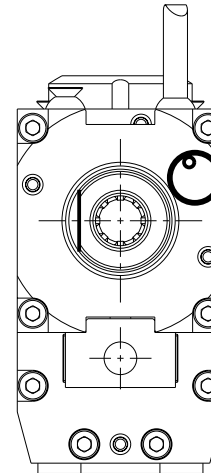
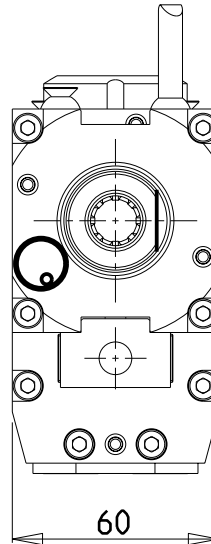


versione dx
right version
version rechts

versione sx
left version
version links



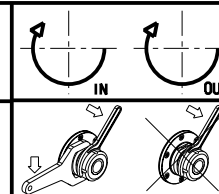
PER PORTAUTENSILI MODULARI MTSK-32 VEDI PAG. TBL300-1-32
FOR MTSK-32 QUICK CHANGE TOOLHOLDERS CLAMPINGS SEE PAGE TBL300-1-32
FUER MTSK-32 MODULARE WERKZEUGAUFNAHMEN SIEHE SEITE TBL300-1-32

- Chiave inclusa
- Key included
- Schlüssel inbegriffen

| Cod. MT | | Mandrino Spindle Spindel | I | RPM | Coppia Max Max Torque Max Drehmoment | Lubrificazione int. Coolant through Innenkuehlung | Lubrificazione est. Ext. coolant Aussenkuehlung | B | CHIAVI NON INCLUSE Keys not included Schlüssel nicht einbegriffen | |
|--|--|--------------------------------|-----|------|--|---|---|------|---|--------------|
| versione dx right version version rechts | versione sx left version version links | | | | | | | | C HUB36 | OKU0290009 ■ |
| BAR0160132 | BAR0161132 | MTSK-32 | 1:1 | 6000 | 32Nm | - | X | 73.5 | C HUB36 | OKU0290009 ■ |
| BAR0160232 | BAR0161232 | MTSK-32 | 1:1 | 6000 | 32Nm | P=70bar | X | 83.5 | C HUB36 | OKU0290009 ■ |

BARUFFALDI
VDI 30

MODULO MOTORIZZATO RADIALE ARRETRATO MTSK VDI30 H=85mm
Radial MTSK rear-set driven tool VDI30 H=85mm
Radial MTSK angetriebenes Werkzeug zurueckversetzt VDI30 H=85mm



M.T. srl
Via Casino Albini 480
Tel. 0541/956034-957884
Fax 0541/956341
47842 S. GIOVANNI IN M. (RN)
e-mail: mtma@mtmarchetti.com
http://www.mtmarchetti.com



BAR015-1-70-K

Subject to change without notice.

09/2024