

# TA07.P



caratteristiche/features

$\phi$  7    M6    180 N

1-1    10000

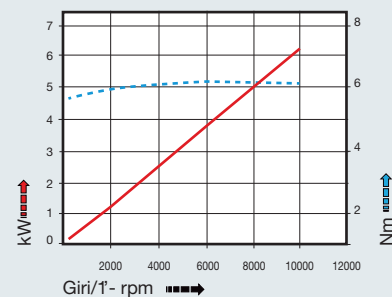
peso/weight

5,5 kg    7,5 kg

rotazione/rotation

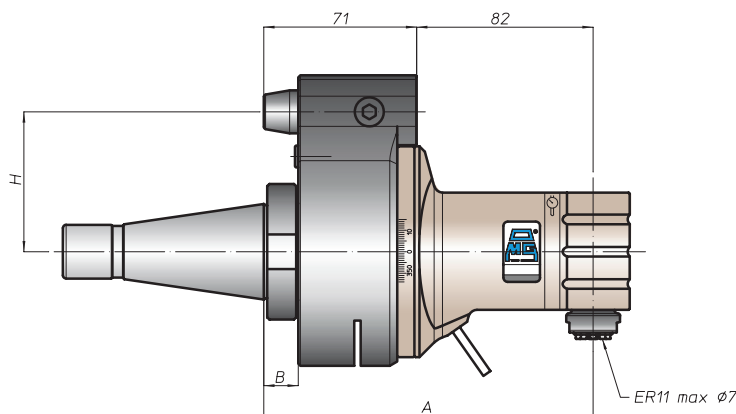
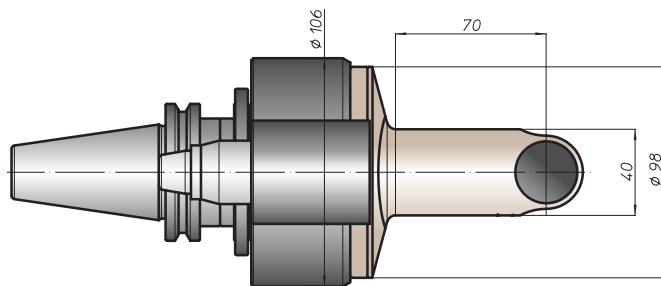
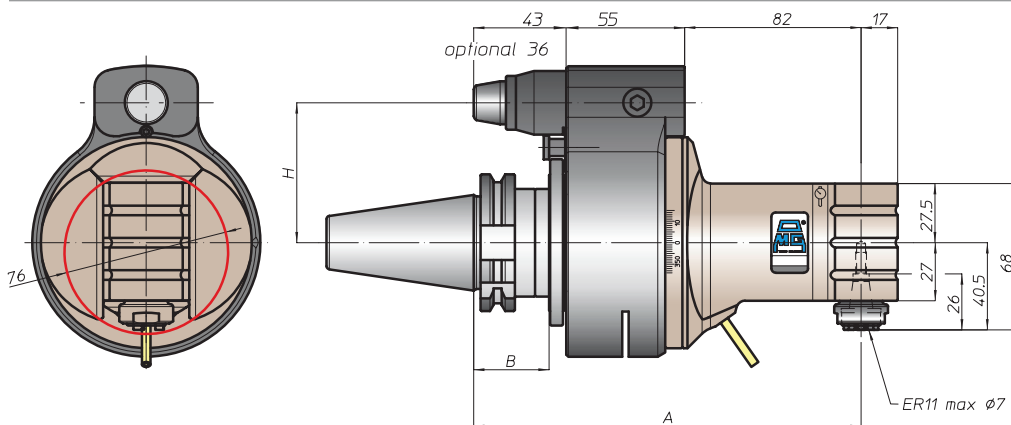
input    output

prestazioni/performance



tipi mandrino disponibili / available spindle types

3 Weldon Whistle-Notch
   
**Ø8-Ø10**



CONO SHANK	size	H			
		A	B	standard	optional
* DING9871	30			65	-
	40			80	110
	45			80	110
* CAT	40	180	35	65	-
	50	180	35	80	110
* BT	40			65	
	50	188	45	80	110
HSK	63		44	65	
	80	189		80	110
	100		46	80	110
CAPTO	C5			65	
	C6	184	39		
	C8			80	110
KM	63			65	
	80	180		80	110
	100			80	110
DIN2080	40	150	13	65	-
	50	153	16	80	110
NMTB	40	150	13	65	-
	50	153	16	80	110

\* Option: Dual Contact

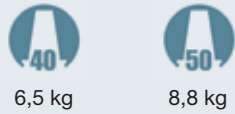


# TA07.PL

caratteristiche/features



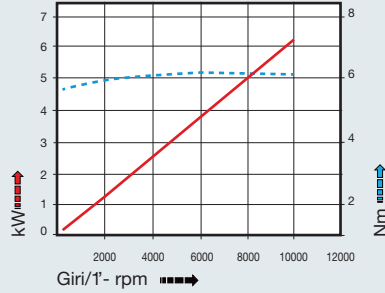
peso/weight



rotazione/rotation



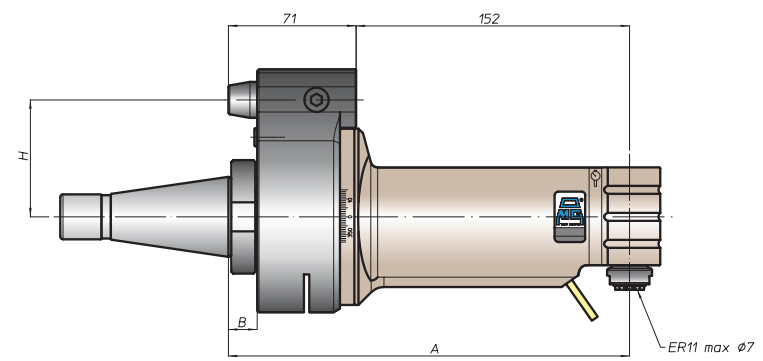
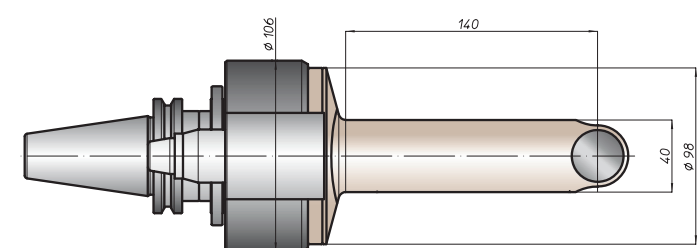
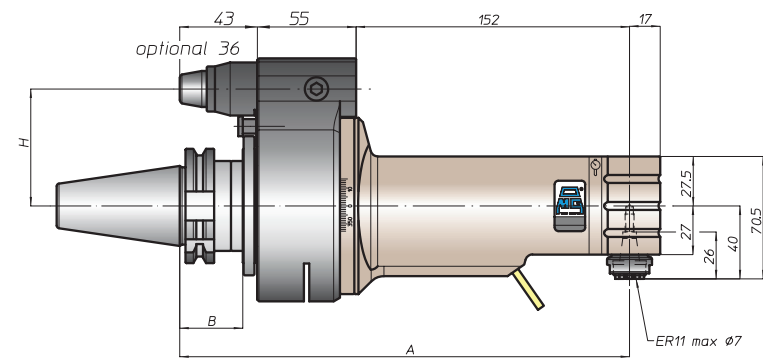
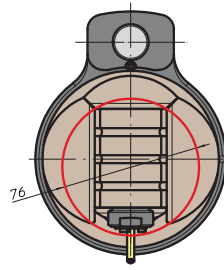
prestazioni/performance



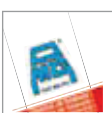
CONO SHANK	size	A	B	H	
				standard	optional
DING9871 *	-	250	35	65	-
	40			80	110
	45			80	110
ANSIB5.50 *	CAT	258	45	65	-
	BT			80	110
DING9893	HSK	259	46	65	-
	80			80	110
	100			80	110
ISO26623	C5	254	39	65	-
	C6			80	110
	C8			80	110
KM	63	250	16	65	-
	80			80	110
	100			80	110
DIN2080	-	223	13	65	-
	40			80	110
	50			80	110
ANSIB5.18	NMTB	223	16	65	-
	40			80	110

tipi mandrino disponibili / available spindle types

**3** Weldon Whistle-Notch  
**Ø8-Ø10**



\* Option: Dual Contact



FH  
 BAH  
 TA.CP  
 TA  
 MOX  
 HT  
 VH  
 TSI/TSX  
 T  
 MT-TC-TC3  
 Accessori  
 Accessories  
 Appendice tecnica  
 Technical supplement

testa ad angolo - angle head

# TA10.P



caratteristiche/features

  $\phi$  10   
  M8   
  400 N  
 1-1   
  10000

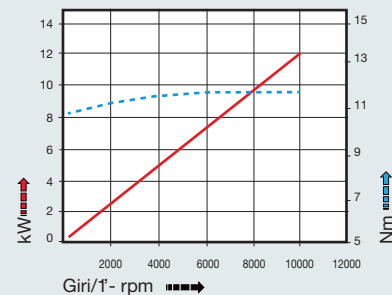
peso/weight

 40  
 5,8 kg   
  50  
 8 kg

rotazione/rotation

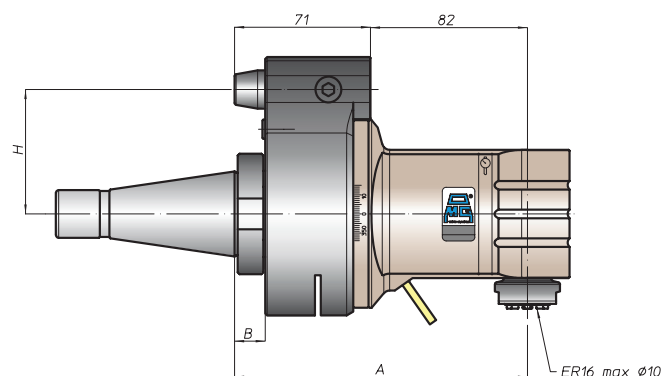
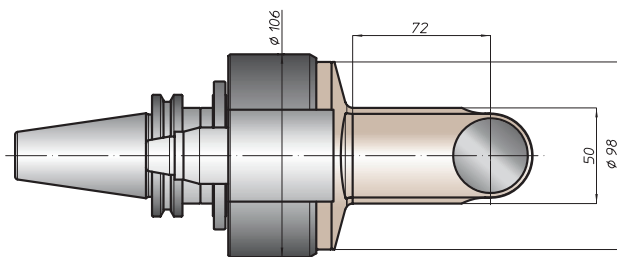
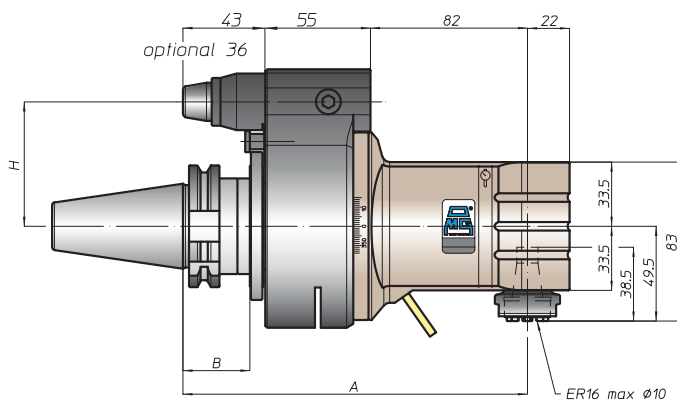
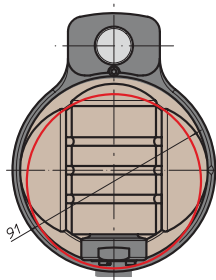
 IN   
  OUT

prestazioni/performance



tipi mandrino disponibili / available spindle types

- 1** DIN6499-ER **ER20**
- 2** Albero portafrese Milling shaft **Ø16**
- 3** Weldon Whistle-Notch **Ø8-10-12**



CONO SHANK	size	H			
		A	B	standard / optional	
* DIN69871	30	180	35	65	-
	40			80	110
	45			80	110
	50			80	110
* CAT ANSIB5.50	40	188	45	65	-
	50			80	110
* BT	40	188	45	65	-
	50			80	110
HSK DIN69893	63	189	46	65	-
	80			80	110
	100			80	110
CAPTO ISO26623	C5	184	39	65	-
	C6			80	110
	C8			80	110
KM	63	180	80	65	-
	80			80	110
	100			80	110
DIN2080	-	150	13	65	-
	40			80	110
ANSIB5.18 NMTB	-	153	16	80	110
	50			80	110
ANSIB5.18 NMTB	40	150	13	65	-
	50			80	110

\* Option: Dual Contact

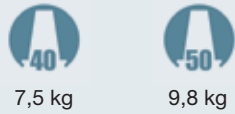


# TA10.PL

caratteristiche/features



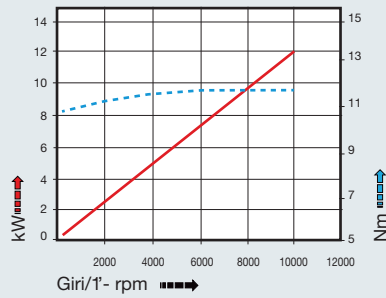
peso/weight



rotazione/rotation



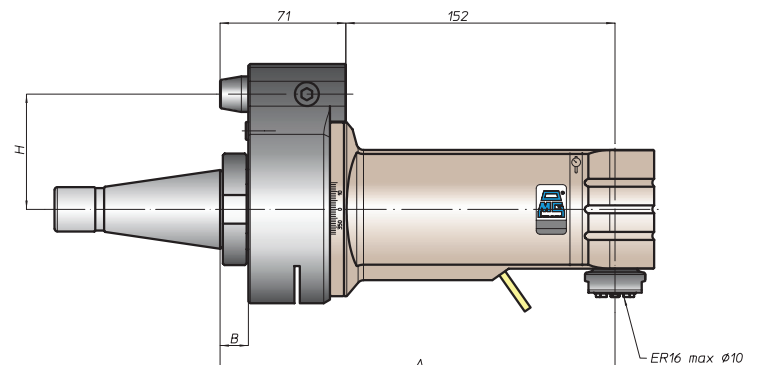
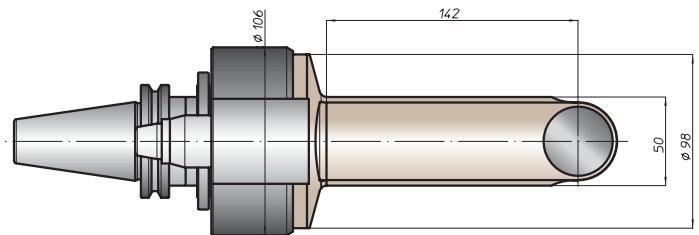
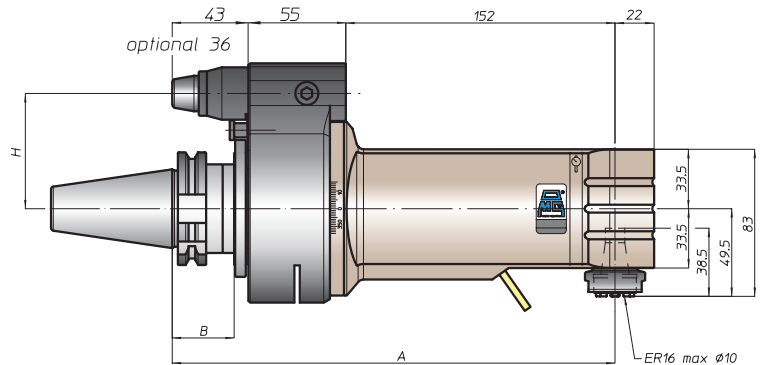
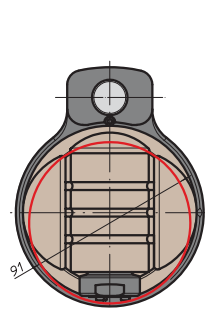
prestazioni/performance



CONO SHANK	size	A	B	H	
				standard	optional
* DING9871	-	250	35	65	-
	40			80	110
	45			80	110
* ANSIB5.50 CAT	40	258	45	65	-
	50			80	110
* BT	40	258	45	65	-
	50			80	110
DING9893 HSK	63	259	44	65	-
	80		46	80	110
	100		46	80	110
ISO26623 CAPTO	C5	254	39	65	-
	C6			80	110
	C8			80	110
KM	63	250	45	65	-
	80			80	110
	100			80	110
DIN2080	-	220	13	65	-
	40			80	110
	50			80	110
ANSIB5.18 NMTB	40	223	16	65	-
	50			80	110

tipi mandrino disponibili / available spindle types

- 1** DIN6499-ER **ER20**
- 2** Albero portafresa Milling shaft **Ø16**
- 3** Weldon Whistle-Notch **Ø8-10-12**



\* Option: Dual Contact



FH  
 BAH  
 TA.CP  
 TA  
 MOX  
 HT  
 VH  
 TSI/TSX  
 T  
 MT-TC-TC3  
 Accessori  
 Accessories  
 Appendice tecnica  
 Technical supplement

testa ad angolo - angle head



# TA13.P



caratteristiche/features

  $\phi$  13   
  M10   
  810 N  
 1-1   
  8000

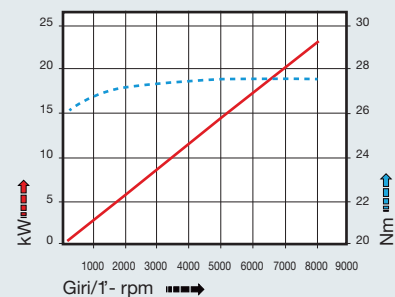
peso/weight

 40  
 6,5 kg   
  50  
 9 kg

rotazione/rotation

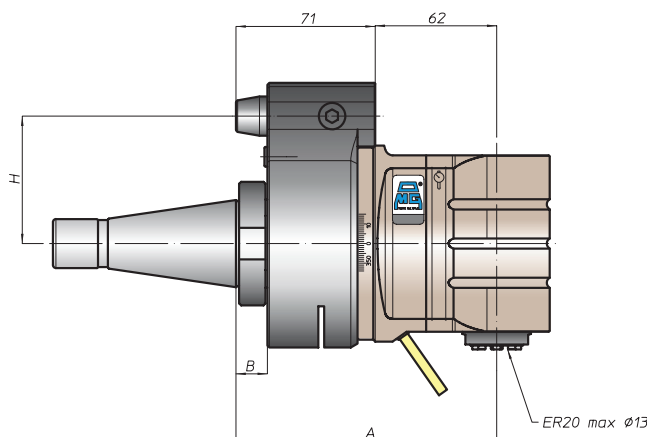
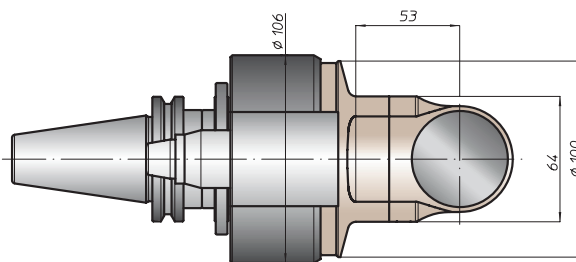
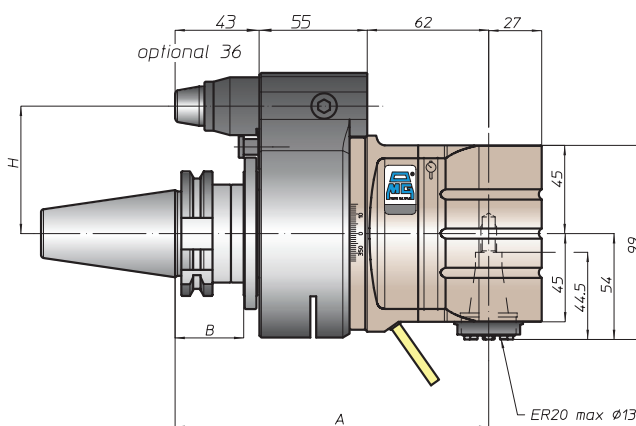
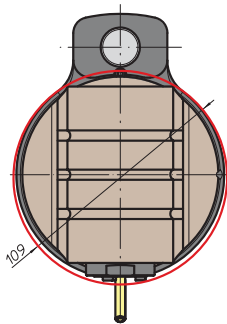
 IN   
  OUT

prestazioni/performance



tipi mandrino disponibili / available spindle types

- 1** DIN6499-ER  
ER25
- 2** Albero portafrese  
Milling shaft  
Ø16-Ø22
- 3** Weldon  
Whistle-Notch  
Ø16
- 6** ABS  
Licenza KOMET®  
ABS25



CONO SHANK	size	H			
		A	B	standard	optional
* DIN9871	-			65	-
	40			80	110
	45	160	35	80	110
* CAT	40			65	-
	50			80	110
* BT	40			65	
	50	168	45	80	110
HSK	63		44	65	
	80	169		80	110
	100		46	80	110
CAPTO	C5			65	
	C6	164	39		
	C8			80	110
KM	63			65	
	80	160		80	110
	100			80	110
DIN2080	-	130	13	65	-
	40			80	110
	50	133	16	80	110
ANSIB5.18 NMTB	40	130	13	65	-
	50	133	16	80	110

\* Option: Dual Contact



# TA13.PL

caratteristiche/features



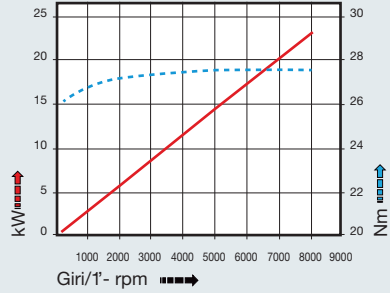
peso/weight



rotazione/rotation



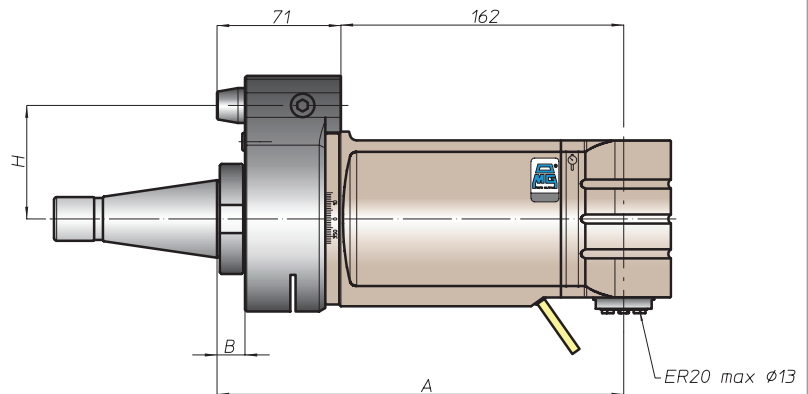
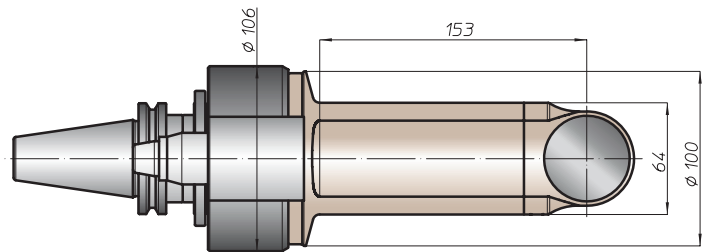
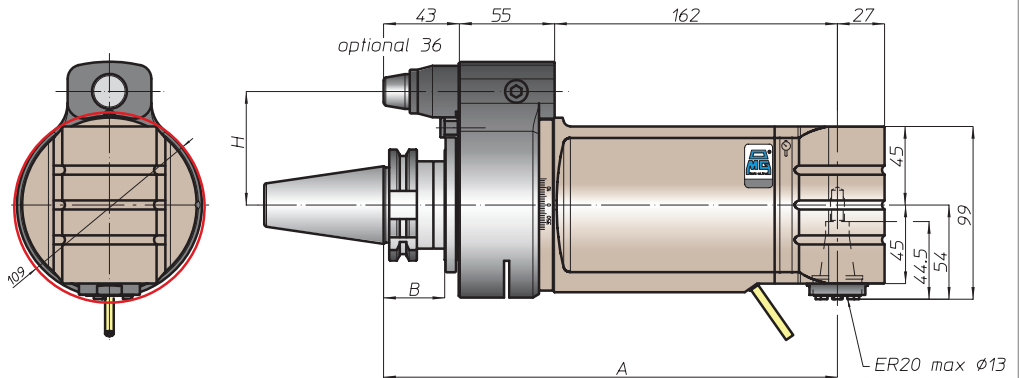
prestazioni/performance



CONO SHANK	size	A	B	H	
				standard	optional
DING9871 *	-	260	35	65	-
	40			80	110
	45			80	110
ANSIB5.50 *	40	268	45	65	-
	50			80	110
* BT	40	268	45	65	-
	50			80	110
DING9893	63	269	44	65	-
	80			80	110
	100			80	110
ISO26623	C5	264	39	65	-
	C6			80	110
	C8			80	110
KM	63	260	44	65	-
	80			80	110
	100			80	110
DIN2080	-	230	13	65	-
	40			80	110
	-			233	16
ANSIB5.18	40	230	13	65	-
	50			233	16

tipi mandrino disponibili / available spindle types

- 1** DIN6499-ER  
**ER25**
- 2** Albero portafresa  
Milling shaft  
**Ø16-Ø22**
- 3** Weldon  
Whistle-Notch  
**Ø16**
- 6** ABS  
Licenza KOMET®  
**ABS25**



\* Option: Dual Contact



FH  
 BAH  
 TA.CP  
 TA  
 MOX  
 HT  
 VH  
 TSI/TSX  
 T  
 MT-TC-TC3  
 Accessori  
 Accessories  
 Appendice tecnica  
 Technical supplement

testa ad angolo - angle head

# TA16.P



caratteristiche/features

  $\phi 16$ 
 M12
  1040 N  
 1-1
  5000

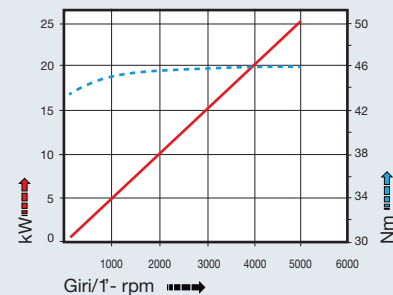
peso/weight

 40  
 7,7 kg
  50  
 11,7 kg

rotazione/rotation

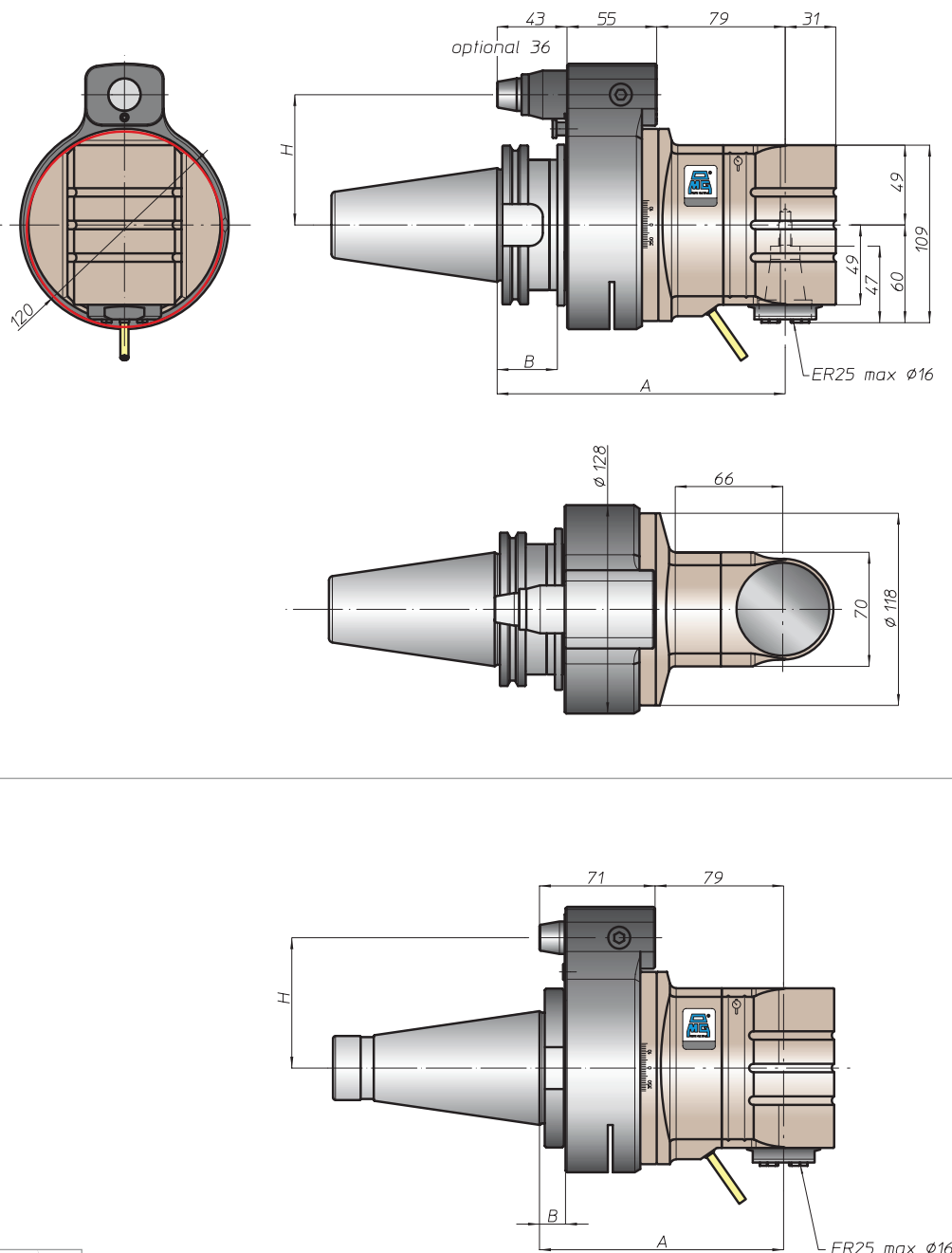
 IN
  OUT

prestazioni/performance



tipi mandrino disponibili / available spindle types

- 1 DIN6499-ER  
ER32
- 2 Albero portafrese  
Milling shaft  
Ø16-Ø22-Ø27-Ø32
- 3 Weldon  
Whistle-Notch  
Ø20
- 4 DIN69893-HSK  
HSK32
- 5 COROMANT  
CAPTO®  
C3
- 6 ABS  
Licenza KOMET®  
ABS32



CONO SHANK	size	H			
		A	B	standard	optional
* DIN69871	-	172		65	-
	40		35	80	110
	45	177			
* ANSIB5.60 CAT	40	172		65	-
	50	177		80	110
* BT	40	172		65	
	50	185	45	80	110
HSK DIN69893	63	181	44	65	
	80		46	80	110
	100	186			
CAPTO ISO26623	C5	176		65	
	C6		39		
	C8	181		80	110
KM	63	172		65	
	80		177	80	110
	100				
DIN2080	-	147	13	65	-
	40		16	80	110
	50	150			
ANSIB5.18 NMTB	40	142	13	65	-
	50	150	16	80	110

\* Option: Dual Contact



# TA16.PL

caratteristiche/features



peso/weight



15,5 kg

rotazione/rotation

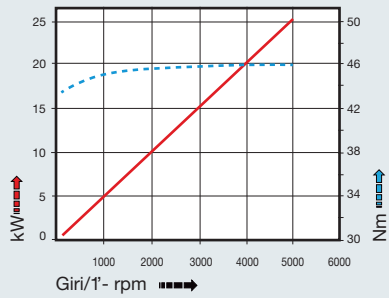


input



output

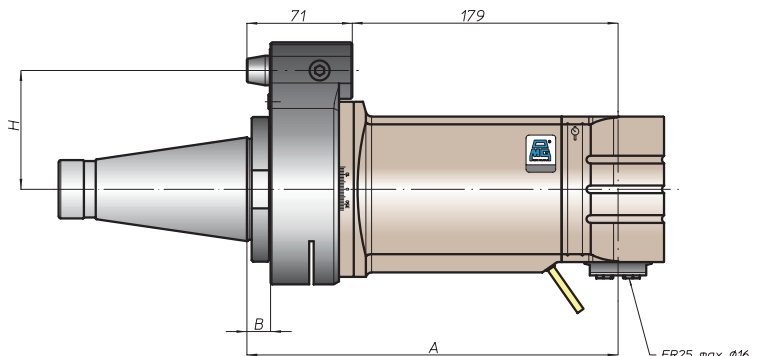
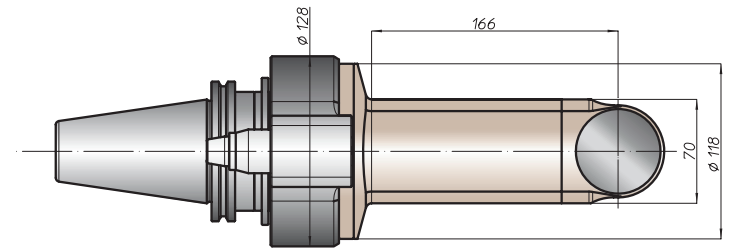
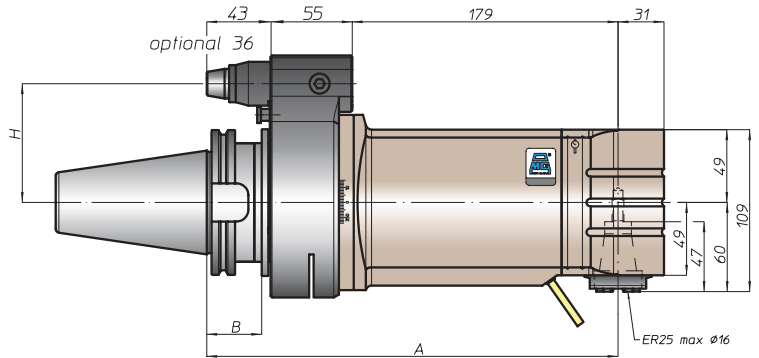
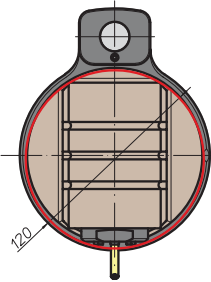
prestazioni/performance



CONO SHANK	size	A	B	H	
				standard	optional
* DING9871 *	-	-	-	-	-
	45	277	35	80	110
* ANSIB5.50 CAT	-	-	-	-	-
	50	277	35	80	110
* BT	-	-	-	-	-
	50	285	45	80	110
HSK DING9893	-	-	44	-	-
	80	286	46	80	110
CAPTO ISO26623	-	-	-	-	-
	C6	281	39	80	110
KM	-	-	-	-	-
	80	277	35	80	110
DIN2080	-	-	-	-	-
	50	250	16	80	110
ANSIB5.18 NMTB	-	-	-	-	-
	50	250	16	80	110

tipi mandrino disponibili / available spindle types

- 1 DIN6499-ER  
**ER32**
- 2 Albero portafresa  
Milling shaft  
**Ø16-Ø22-Ø27-Ø32**
- 3 Weldon  
Whistle-Notch  
**Ø20**
- 4 DIN69893-HSK  
**HSK32**
- 5 COROMANT  
CAPTO®  
**C3**
- 6 ABS  
Licenza KOMET®  
**ABS32**



\* Option: Dual Contact



FH  
 BAH  
 TA.CP  
 TA  
 MOX  
 HT  
 VH  
 TSI/TSX  
 T  
 MT-TC-TC3  
 Accessori  
 Accessories  
 Appendice tecnica  
 Technical supplement



testa ad angolo - angle head

# TA20.P



caratteristiche/features



peso/weight



14,5 kg

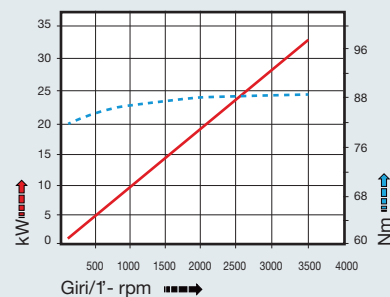
rotazione/rotation



input

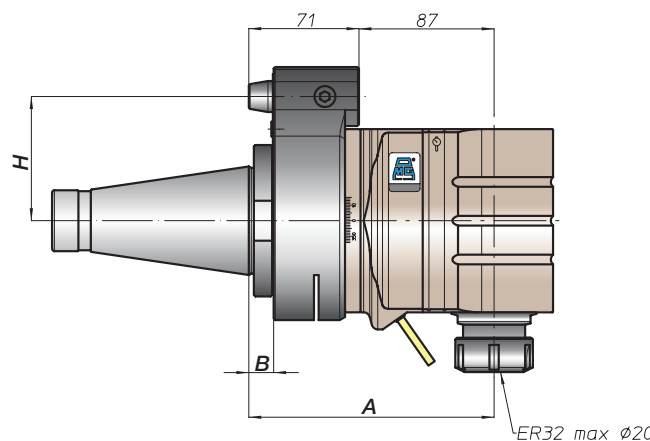
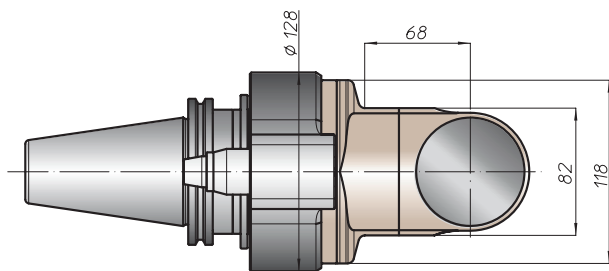
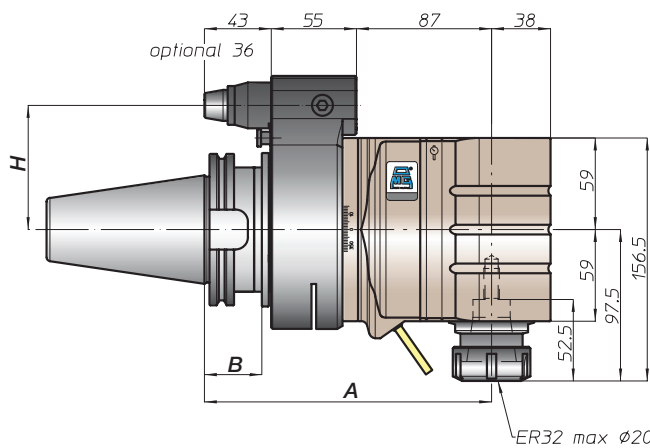
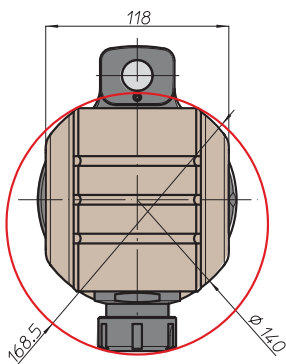
output

prestazioni/performance



tipi mandrino disponibili / available spindle types

- 1** DIN6499-ER  
**ER40**
- 2** Albero portafrese  
Milling shaft  
**Ø22-Ø27-Ø32**
- 3** Weldon  
Whistle-Notch  
**Ø20-Ø25-Ø32**
- 4** DIN69893-HSK  
**HSK40**
- 5** COROMANT  
CAPTO®  
**C4**
- 6** ABS  
Licenza KOMET®  
**ABS40**



CONO SHANK	size	H			
		A	B	standard	optional
DIN69871 *	-	-	-	-	-
DIN69871 *	45	-	-	80	110
DIN69871 *	50	185	35	80	110
ANSIB5.50 *	-	-	-	-	-
ANSIB5.50 *	50	-	-	80	110
BT *	-	-	-	-	-
BT *	50	193	45	80	110
HSK	-	-	-	-	-
DIN69893	80	194	-	80	110
DIN69893	100	-	46	80	110
CAPTO	-	-	-	-	-
ISO26623	-	189	-	80	110
ISO26623	C8	-	-	80	110
KM	-	-	-	-	-
KM	80	185	-	80	110
KM	100	-	-	80	110
DIN2080	-	-	-	-	-
DIN2080	-	158	16	80	110
DIN2080	50	-	-	80	110
NMTB	-	-	-	-	-
ANSIB5.18	50	158	16	80	110

\* Option: Dual Contact



# TA20.PL



caratteristiche/features



peso/weight



19 kg

rotazione/rotation

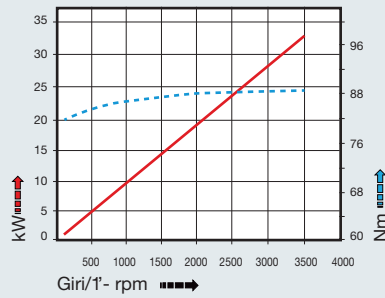





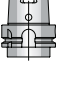
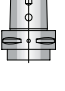



input



output

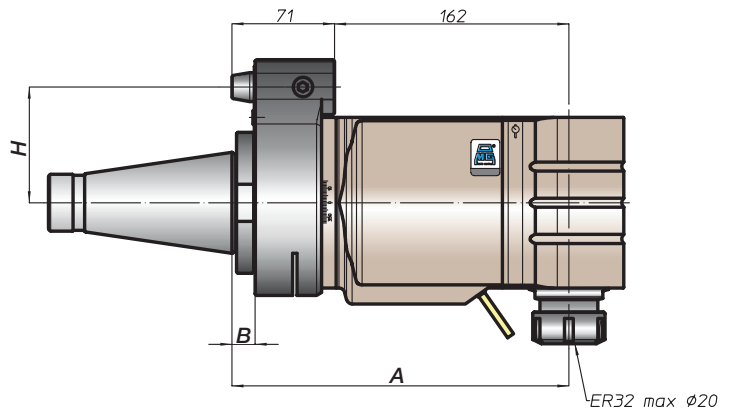
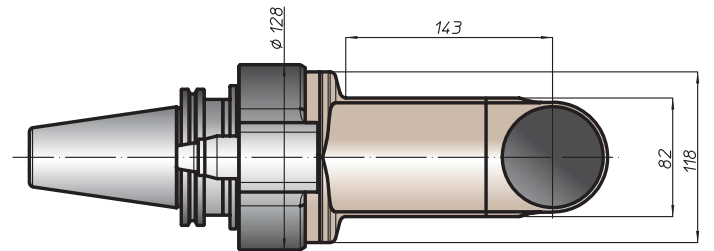
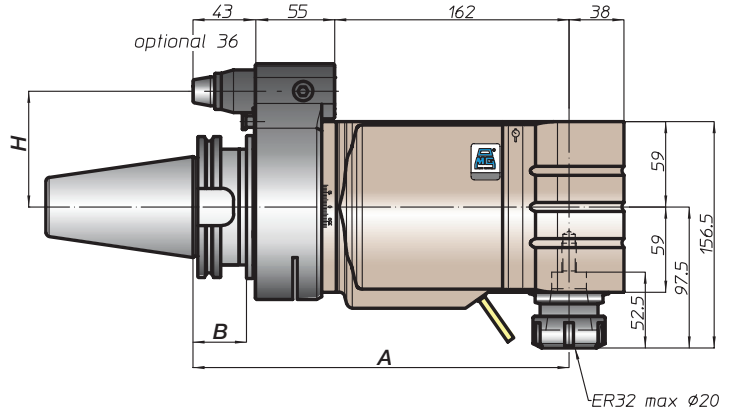
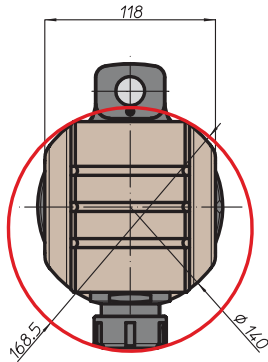
prestazioni/performance



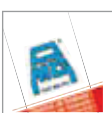
CONO SHANK	size	A	B	H	
				standard	optional
DIN69871 *	-	-	-	-	-
	45	260	35	80	110
	50			80	110
ANSIB5.50 *	-	-	-	-	-
	50	-	-	80	110
	-	-	-	-	-
BT *	-	-	-	-	-
	50	268	45	80	110
	-	-	-	-	-
HSK	-	-	-	-	-
	80	269	46	80	110
	100			80	110
CAPTO	-	-	-	-	-
	-	264	-	80	110
	C8			80	110
KM	-	-	-	-	-
	80	260	-	80	110
	100			80	110
DIN2080	-	-	-	-	-
	-	233	16	80	110
	50			80	110
NMTB	-	-	-	-	-
	-	233	16	80	110
	50			80	110

tipi mandrino disponibili / available spindle types

- 1** DIN6499-ER  
ER40
- 2** Albero portafresa  
Milling shaft  
Ø22-Ø27-Ø32
- 3** Weldon  
Whistle-Notch  
Ø20-Ø25-Ø32
- 4** DIN69893-HSK  
HSK40
- 5** COROMANT  
CAPTO®  
C4
- 6** ABS  
Licenza KOMET®  
ABS40



\* Option: Dual Contact



FH  
BAH  
TA.CP  
TA  
MOX  
HT  
VH  
TSI/TSX  
T  
MT-TC-TC3  
Accessori  
Accessories  
Appendice tecnica  
Technical supplement

# TA Extended Gallery



# TA20.30

caratteristiche/features



peso/weight



14,7 kg

rotazione/rotation

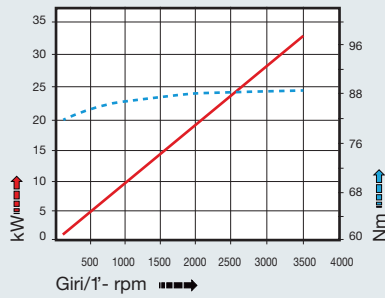


input

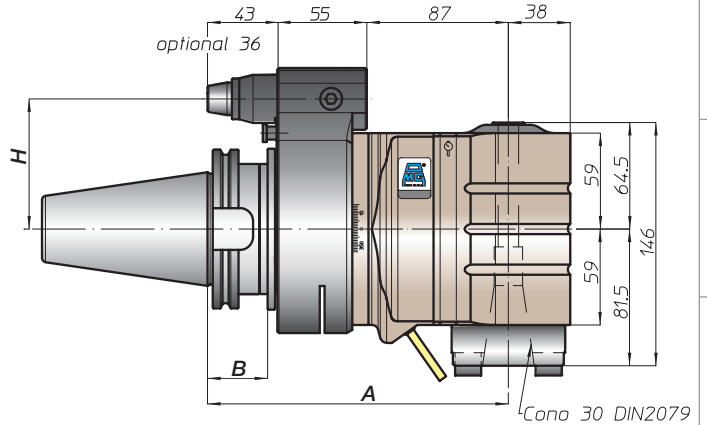
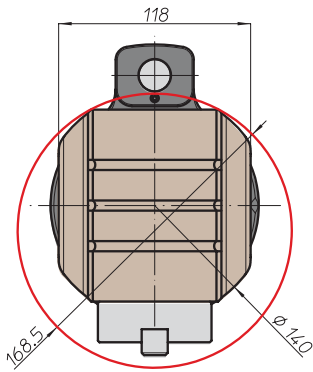


output

prestazioni/performance



CONO SHANK	size	A	B	H	
				standard	optional
* DING9871 	-	185	35	-	-
	45			80	110
	50			80	110
* ANSIB5.50 CAT 	-	185	35	-	-
	50			80	110
* BT 	-	193	45	-	-
	50			80	110
HSK 	-	194	46	-	-
	80			80	110
	100			80	110
CAPTO 	-	189	-	-	-
	C8			80	110
KM 	-	185	-	-	-
	80			80	110
	100			80	110
DIN2080 	-	158	16	-	-
	-			80	110
	50			80	110
NMTB ANSIB5.18 	-	158	16	-	-
	50			80	110

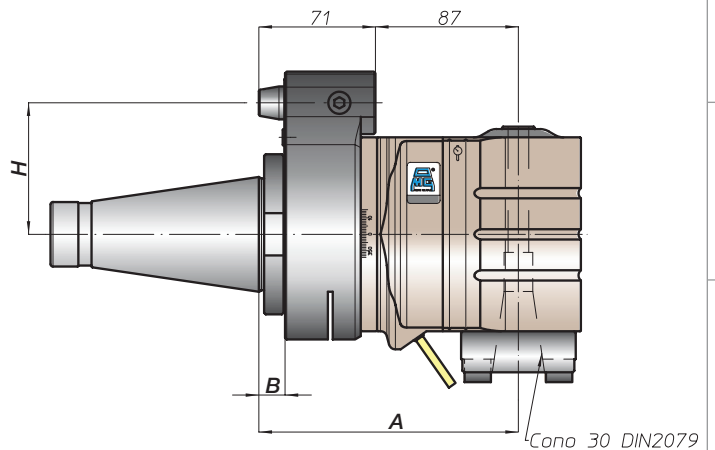
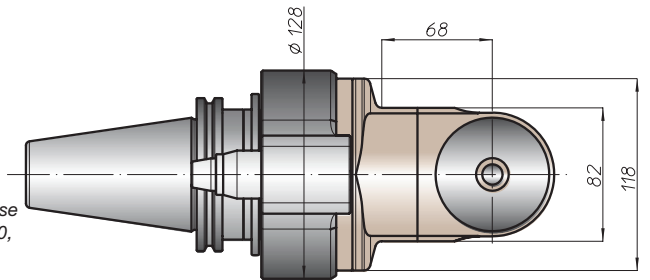


**Nota:**

- nel mandrino DIN2079 si possono utilizzare coni DIN2080-30, DIN69871-A30, MAS403-BT30

**Note:**

- on the spindle DIN2079 you can use shank DIN2080-30, DIN69871-A30, MAS403-BT30



\* Option: Dual Contact



FH  
 BAH  
 TA.CP  
 TA  
 MOX  
 HT  
 VH  
 TSI/TSX  
 T  
 MT-TC-TC3  
 Accessori  
 Accessories  
 Appendice tecnica  
 Technical supplement

# TA26.P



caratteristiche/features

ø 26 M20 3020 N

1-1 2500

peso/weight



22 kg

rotazione/rotation

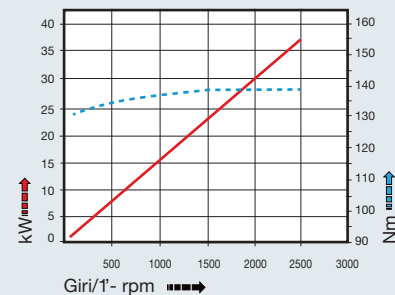


input



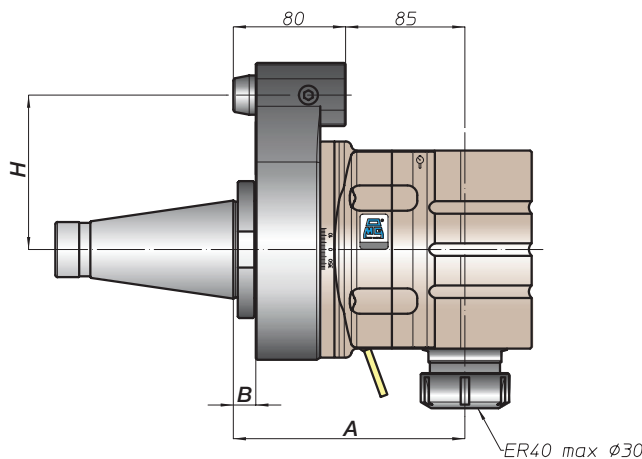
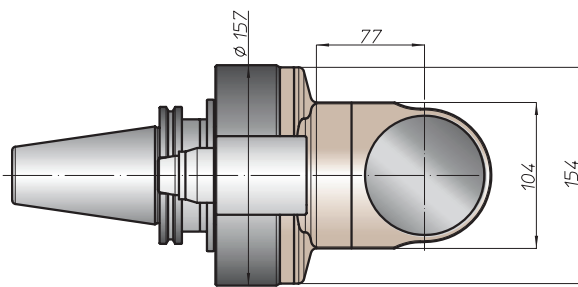
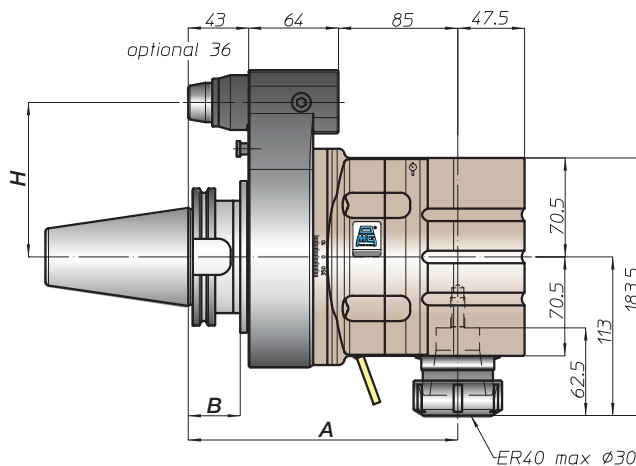
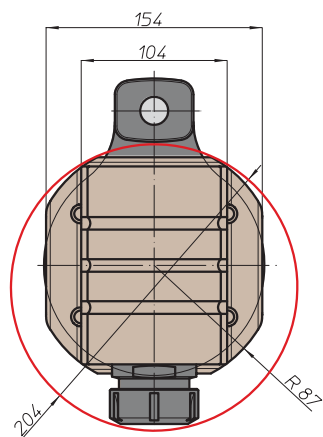
output

prestazioni/performance



tipi mandrino disponibili / available spindle types

- |                     |  |                               |                       |                          |                             |
|---------------------|--|-------------------------------|-----------------------|--------------------------|-----------------------------|
| <b>1</b> DIN6499-ER | <b>2</b> Albero portafrese Milling shaft | <b>3</b> Weldon Whistle-Notch | <b>4</b> DIN69893-HSK | <b>5</b> COROMANT CAPTO® | <b>6</b> ABS Licenza KOMET® |
| <b>ER50</b>         | <b>Ø16-Ø27-Ø32-Ø40</b>                   | <b>Ø32</b>                    | <b>HSK63</b>          | <b>C4-C5-C6</b>          | <b>ABS50</b>                |



CONO SHANK	size	H			
		A	B	standard	optional
DIN69871 *	-	-	-	-	-
DIN69871 *	45	-	-	110	-
DIN69871 *	50	192	35	-	-
ANSIB5.50 *	-	-	-	-	-
ANSIB5.50 *	50	-	-	110	-
BT *	-	-	-	-	-
BT *	50	200	45	110	-
HSK	-	-	-	-	-
DIN69893	80	201	46	110	-
DIN69893	100	-	-	-	-
CAPTO	-	-	-	-	-
ISO26623	-	196	-	-	-
ISO26623	C8	-	-	110	-
KM	-	-	-	-	-
KM	-	192	-	-	-
KM	100	-	-	110	-
DIN2080	-	-	-	-	-
DIN2080	-	165	16	110	-
DIN2080	50	-	-	-	-
NMTB	-	-	-	-	-
ANSIB5.18	50	165	16	110	-

\* Option: Dual Contact



# TA26.40

caratteristiche/features



peso/weight



22 kg

rotazione/rotation

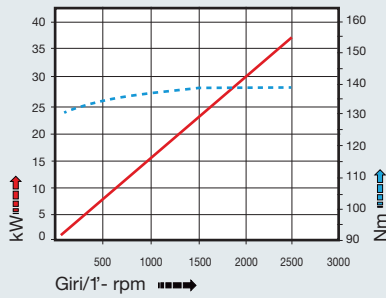


input

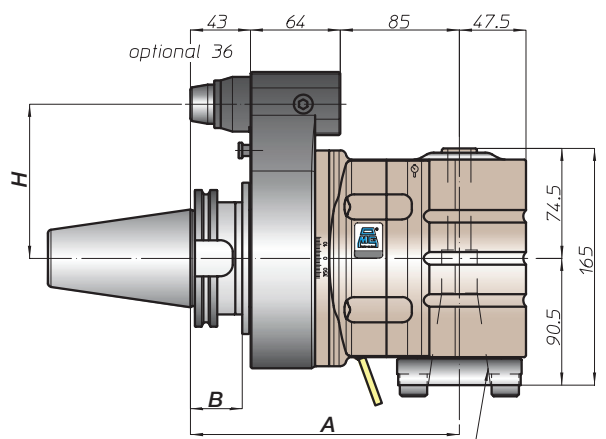
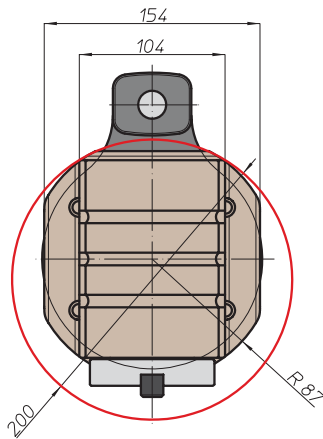


output

prestazioni/performance



CONO SHANK	size	A	B	H	
				standard	optional
* DING9871 *	-	192	35	-	-
	45			110	-
	50			110	-
* ANSIB5.50 * CAT	-	192	35	-	-
	50			110	-
* BT	-	200	45	110	-
	50			110	-
HSK	-	201	46	110	-
	80			110	-
DING9893	-	196	35	110	-
	100			110	-
CAPTO	-	196	35	110	-
	C8			110	-
KM	-	192	35	110	-
	100			110	-
DIN2080	-	165	16	110	-
	50			110	-
ANSIB5.18 NMTB	-	165	16	110	-
	50			110	-



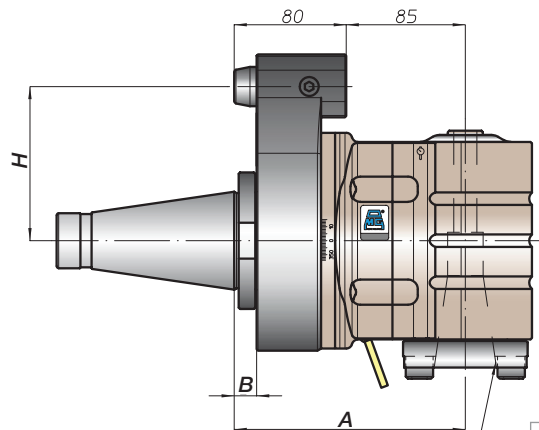
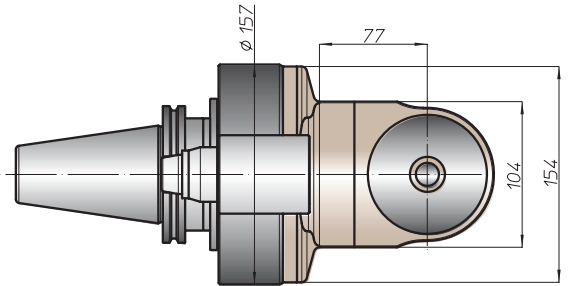
Cono 40 DIN2079

Nota:

- nel mandrino DIN2079 si possono utilizzare coni DIN2080-40, DIN69871-A40, MAS403-BT40

Note:

- on the spindle DIN2079 you can use shank DIN2080-40, DIN69871-A40, MAS403-BT40



Cono 40 DIN2079

\* Option: Dual Contact

testa ad angolo - angle head

# TA30.P



caratteristiche/features

$\phi$  30 M24 3500 N

1-1 2500

peso/weight



24 kg

rotazione/rotation

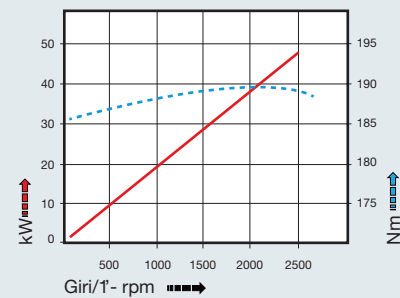


input



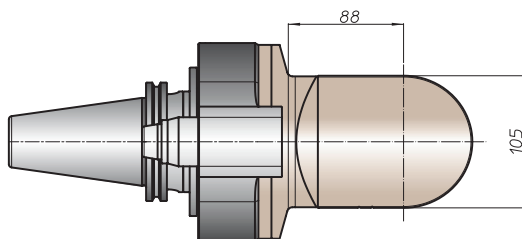
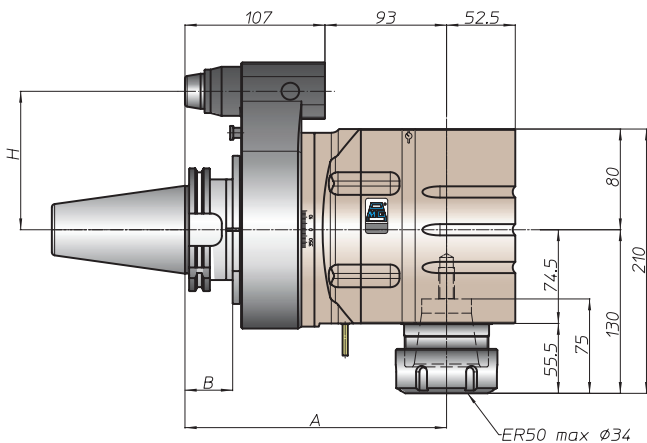
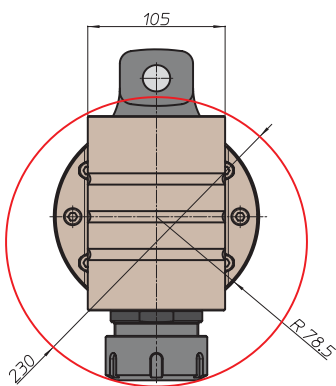
output

prestazioni/performances



tipi mandrino disponibili / available spindle types

- 2** Albero portafrese / Milling shaft  $\phi$ 40
- 4** DIN69893-HSK HSK63



CONO SHANK	size	H			
		A	B	standard	optional
DIN69871 *	-	-	-	-	-
ANSIB5.50 *	50	200	36,5	110	-
BT *	50	-	-	110	-
HSK	-	-	-	-	-
DIN69893	100	209	46	110	-
CAPTO	-	-	-	-	-
ISO26623	C8	204	-	110	-
KM	-	-	-	-	-
DIN2080	-	-	-	-	-
NMTB	-	-	-	-	-
ANSIB5.18	-	-	-	-	-

\* Option: Dual Contact



# TA30.40



caratteristiche/features



peso/weight



24 kg

rotazione/rotation

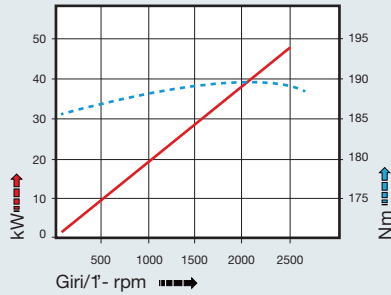


input

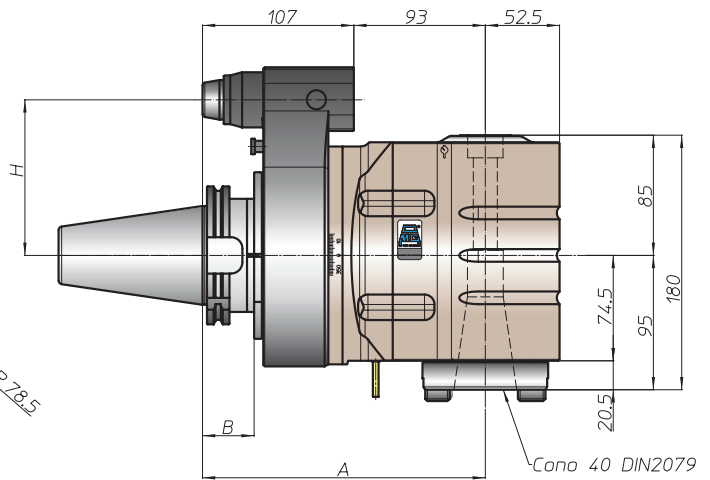
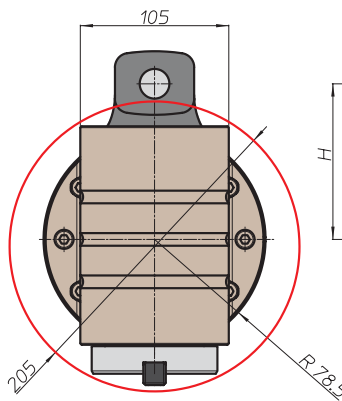


output

prestazioni/performance



CONO SHANK	size	A	B	H	
				standard	optional
* DING9871	-	192	35	-	-
	45			110	-
	50			110	-
* ANSIB5.50 CAT	-	192	35	-	-
	50			110	-
* BT	-	200	45	110	-
	50			110	-
HSK DING9893	-	201	46	110	-
	80			110	-
CAPTO ISO26623	-	196	-	110	-
	C8			110	-
KM	-	192	-	110	-
	100			110	-
DIN2080	-	165	16	110	-
	50			110	-
ANSIB5.18 NMTB	-	165	16	110	-
	50			110	-



**Nota:**

- nel mandrino DIN2079 si possono utilizzare coni DIN2080-40, DIN69871-A40, MAS403-BT40

**Note:**

- on the spindle DIN2079 you can use shank DIN2080-40, DIN69871-A40, MAS403-BT40

