

testa ad angolo - angle head

# TA07.PD



caratteristiche/features



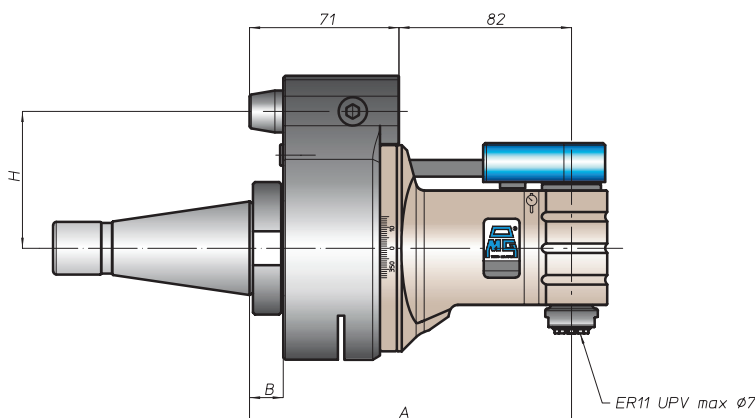
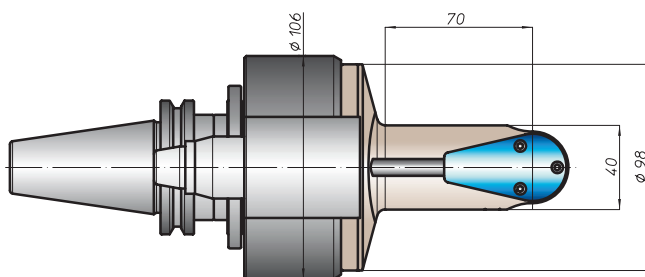
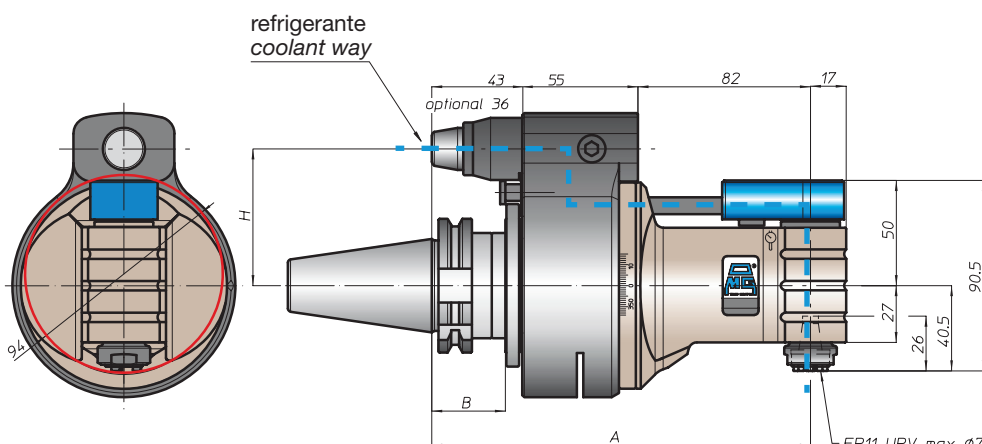
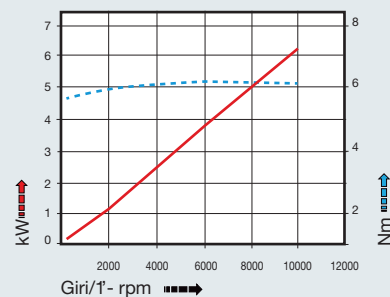
peso/weight



rotazione/rotation



prestazioni/performance



CONO SHANK	size	H			
		A	B	standard	optional
* DIN9871	30			65	-
	40			80	110
	45			80	110
	50	150	35	80	110
* CAT ANSIB5.50	40			65	-
	50			80	110
* BT	40			65	
	50	158	45	80	110
HSK DIN9893	63		44	65	
	80	159		80	110
	100		46	80	110
CAPTO ISO26623	C5			65	
	C6	154	39		
	C8			80	110
KM	63			65	
	80	150		80	110
	100			80	110
DIN2080	-	120	13	65	-
	40			80	110
NMTB ANSIB5.18	-	123	16	80	110
	50			80	110
NMTB ANSIB5.18	40	120	13	65	-
	50	123	16	80	110

\* Option: Dual Contact



# TA07.PDL



caratteristiche/features

$\varnothing$  7    M6    180 N  
 1-1    10000    10 bar

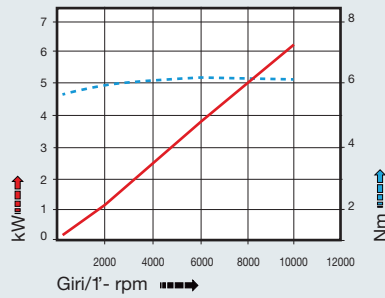
peso/weight

6,7 kg    9 kg

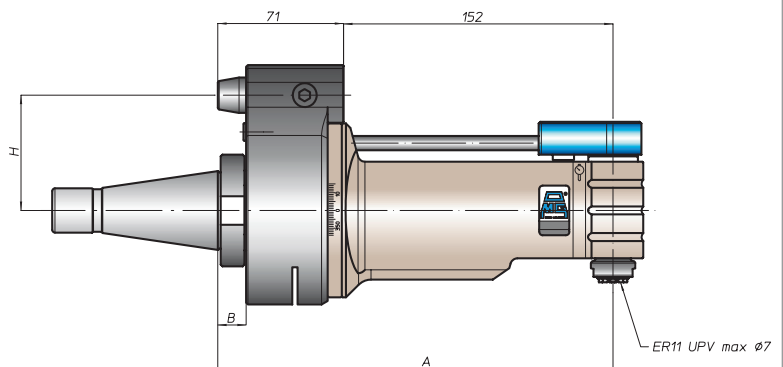
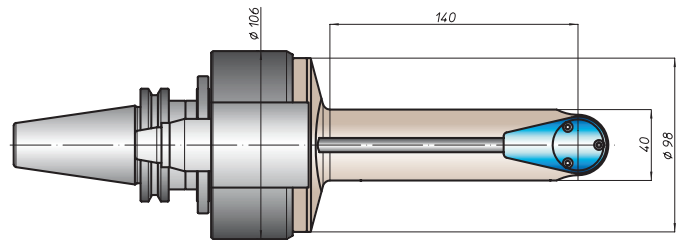
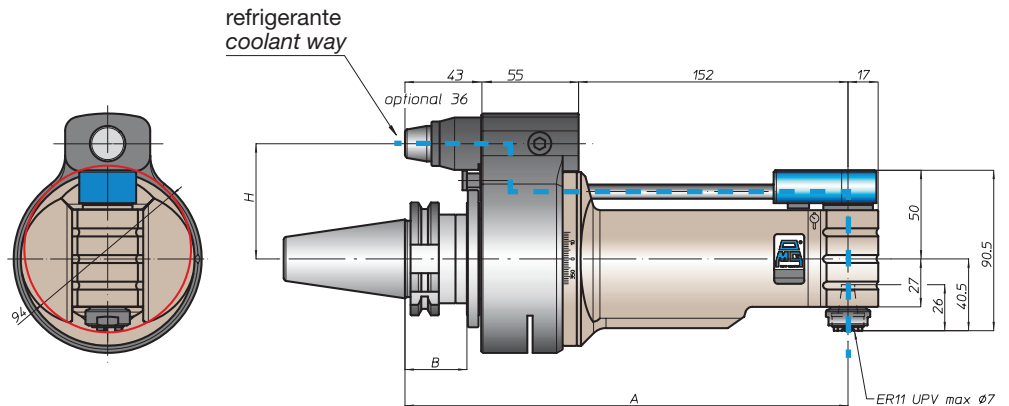
rotazione/rotation

input    output

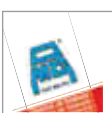
prestazioni/performance



CONO SHANK	size	A	B	H	
				standard	optional
* DING9871 	-	250	35	65	-
	40			80	110
	45			80	110
* ANSIB5.50 CAT 	40	258	45	65	-
	50			80	110
* BT 	40	258	45	65	-
	50			80	110
HSK DING9893 	63	259	44	65	-
	80		46	80	110
	100		46	80	110
CAPTO ISO26623 	C5	254	39	65	-
	C6			80	110
	C8			80	110
KM 	63	250	45	65	-
	80			80	110
	100			80	110
DIN2080 	-	220	13	65	-
	40			80	110
	50			80	110
NMTB ANSIB5.18 	40	220	13	65	-
	50			80	110



\* Option: Dual Contact



FH  
 BAH  
 TA.CP  
 TA  
 MOX  
 HT  
 VH  
 TSI/TSX  
 T  
 MT-TC-TC3  
 Accessori  
 Accessories  
 Appendice tecnica  
 Technical supplement

testa ad angolo - angle head

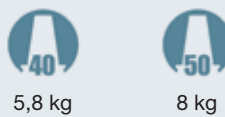
# TA10.PD



caratteristiche/features



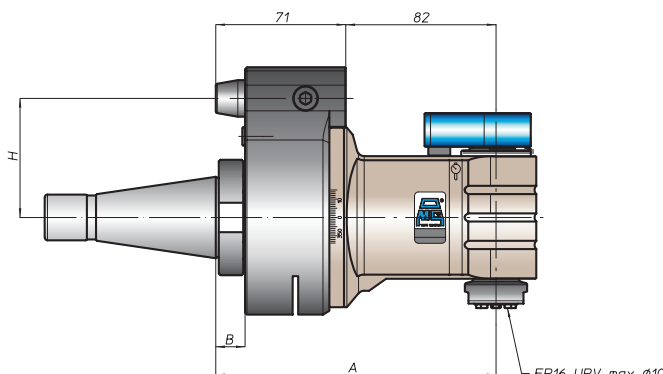
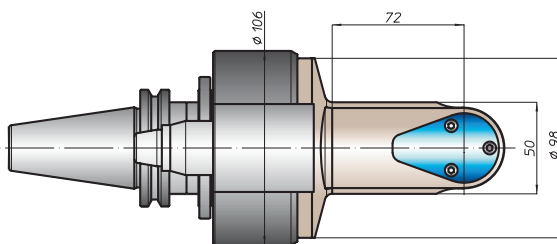
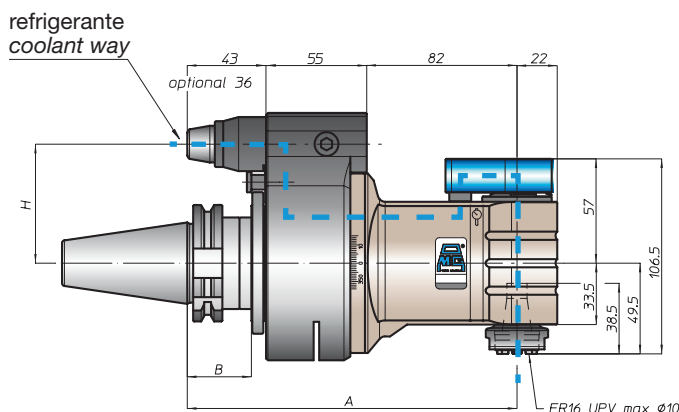
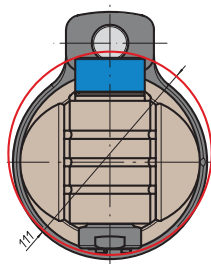
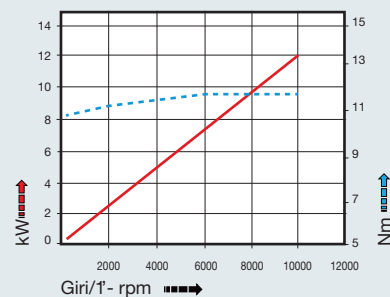
peso/weight



rotazione/rotation



prestazioni/performance



CONO SHANK	size	H			
		A	B	standard	optional
* DING9871	30			65	-
	40			80	110
	45			80	110
	50	180	35	80	110
* ANSIB5.50 CAT	40			65	-
	50			80	110
* BT	40			65	
	50	188	45	80	110
DING9893 HSK	63		44	65	
	80	189		80	110
	100		46	80	110
ISO28623 CAPTO	C5			65	
	C6	184	39		
	C8			80	110
KM	63			65	
	80	180		80	110
	100			80	110
DIN2080	-	150	13	65	-
	40				
	-	153	16	80	110
ANSIB5.18 NMTB	40	150	13	65	-
	50	153	16	80	110

\* Option: Dual Contact

FH  
BAH  
TA.CP  
TA  
MOX  
HT  
VH  
TSI/TSX  
T  
MT-TC-TC3  
Accessori  
Accessories  
Appendice tecnica  
Technical supplement



# TA10.PDL



caratteristiche/features

$\varnothing$  10    M8    400 N  
 1-1    10000    10 bar

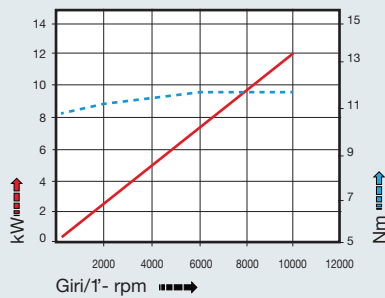
peso/weight

7,7 kg    10 kg

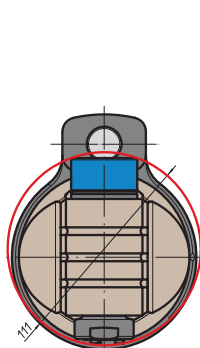
rotazione/rotation

input    output

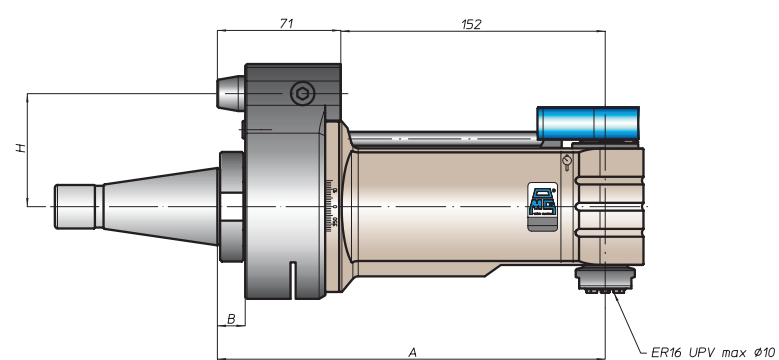
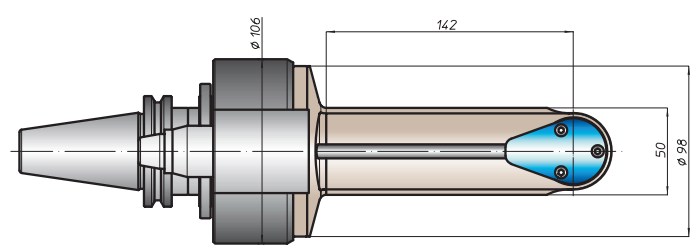
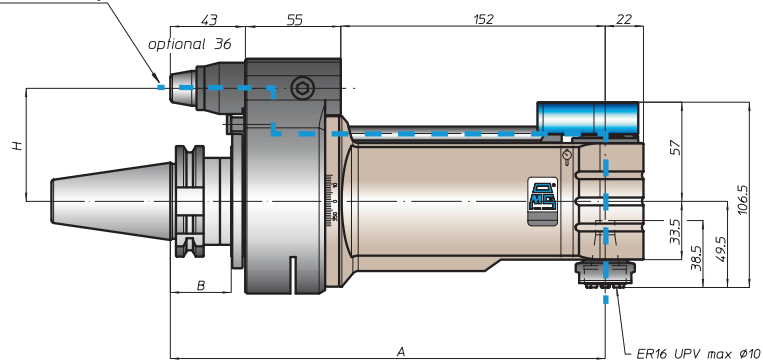
prestazioni/performance



CONO SHANK	size	A	B	H	
				standard	optional
DING9871 *	40	250	35	65	-
	45			80	110
	50			80	110
ANSIB5.50 *	40	258	45	65	-
	50			80	110
BT *	40	258	45	65	-
	50			80	110
HSK	63	259	44	65	-
	80		46	80	110
	100		46	80	110
CAPTO	C5	284	39	65	-
	C6			80	110
	C8			80	110
KM	63	250	45	65	-
	80			80	110
	100			80	110
DIN2080	40	220	13	65	-
	50	223	16	80	110
	50	223	16	80	110
ANSIB5.18 NMTB	40	220	13	65	-
	50	223	16	80	110



refrigerante coolant way



\* Option: Dual Contact



FH  
 BAH  
 TA.CP  
 TA  
 MOX  
 HT  
 VH  
 TSI/TSX  
 T  
 MT-TC-TC3  
 Accessori  
 Accessories  
 Appendice tecnica  
 Technical supplement

testa ad angolo - angle head

# TA13.PD



caratteristiche/features

ø 13    M10    810 N

1-1    8000    10 bar

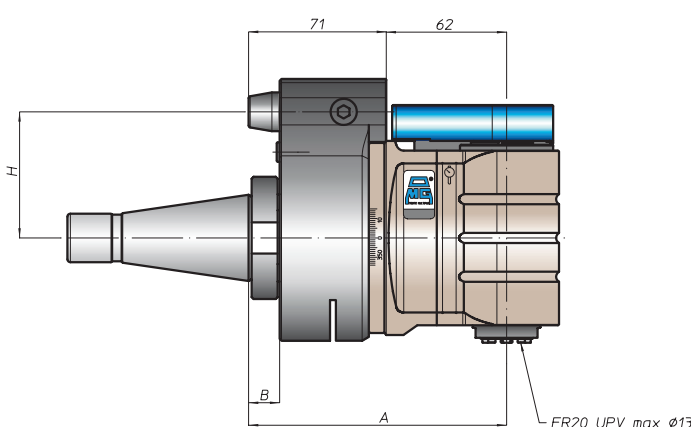
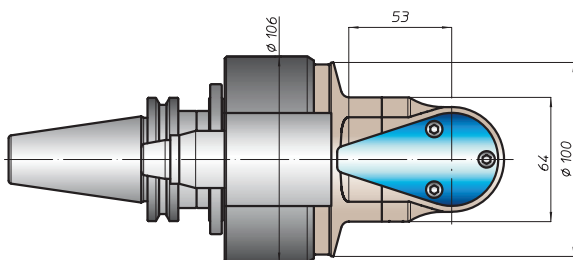
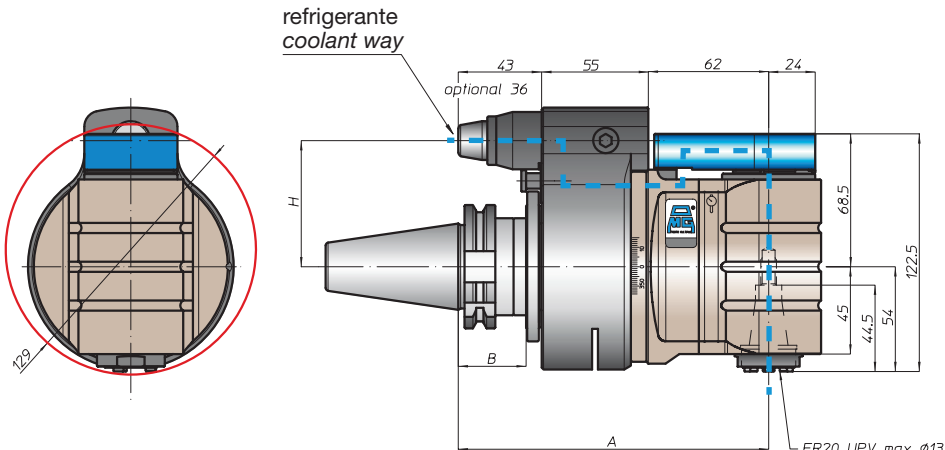
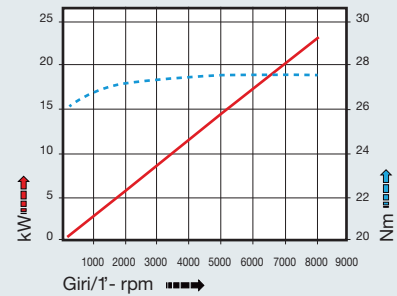
peso/weight

6,5 kg    9 kg

rotazione/rotation

input    output

prestazioni/performance



CONO SHANK	size	H			
		A	B	standard	optional
* DING9871	-			65	-
	40	160	35	80	110
	45			80	110
50	80			110	
* ANSIB5.50 CAT	40			65	-
	50			80	110
* BT	40			65	
	50	168	45	80	110
HSK	63		44	65	
	80	169	46	80	110
	100			80	110
ISO28623 CAPTO	C5			65	
	C6	164	39	80	110
	C8			80	110
KM	63			65	
	80	160		80	110
	100			80	110
DIN2080	-	130	13	65	-
	40	133	16	80	110
	50			80	110
ANSIB5.18 NMTB	40	130	13	65	-
	50	133	16	80	110

\* Option: Dual Contact



# TA16.PD



caratteristiche/features

$\varnothing$  16    M12    1040 N  
 1-1    5000    10 bar

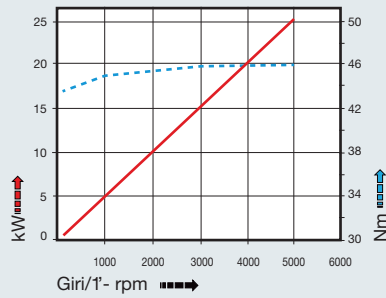
peso/weight

7,7 kg    12 kg

rotazione/rotation

input    output

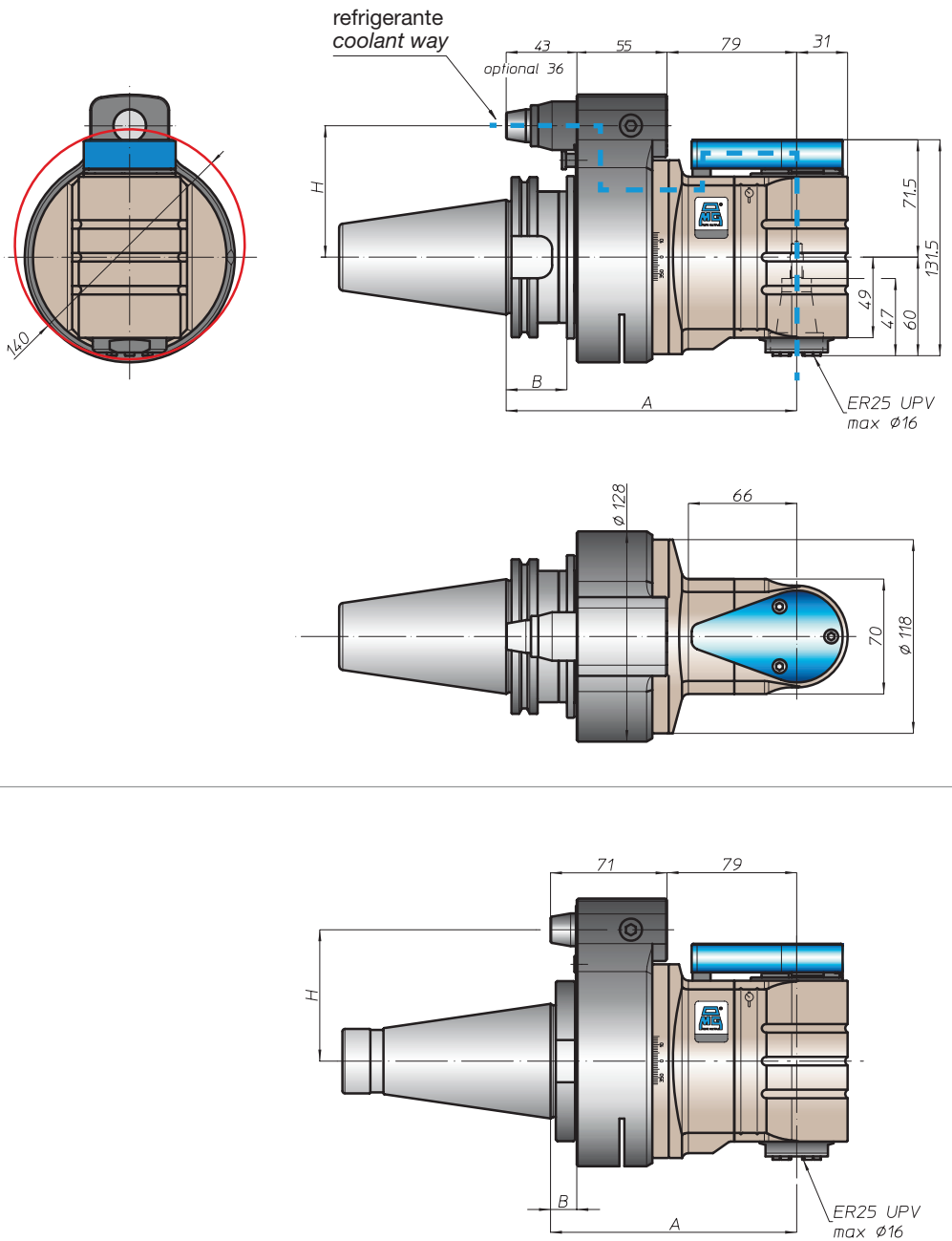
prestazioni/performance



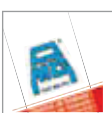
CONO SHANK	size	A	B	H	
				standard	optional
DING9871 *	-	172	35	65	-
	40			80	110
	45			80	110
ANSIB5.50 * CAT	40	172	35	65	-
	50	177	35	80	110
* BT	40	172	35	65	-
	50	185	45	80	110
DING9893 HSK	63	181	44	65	-
	80	186	46	80	110
	100	186	46	80	110
ISO26623 CAPTO	C5	176	39	65	-
	C6	181	39	80	110
	C8	181	39	80	110
KM	63	172	35	65	-
	80	177	35	80	110
	100	177	35	80	110
DIN2080	-	147	13	65	-
	40	150	16	80	110
	50	150	16	80	110
ANSIB5.18 NMTB	40	142	13	65	-
	50	150	16	80	110

tipi mandrino disponibili / available spindle types

1 DIN6499-ER  
ER32



\* Option: Dual Contact



FH  
BAH  
TA.CP  
TA  
MOX  
HT  
VH  
TSI/TSX  
T  
MT-TC-TC3  
Accessori  
Accessories  
Appendice tecnica  
Technical supplement

testa ad angolo - angle head

# TA20.PD

caratteristiche/features



peso/weight



14,5 kg

rotazione/rotation

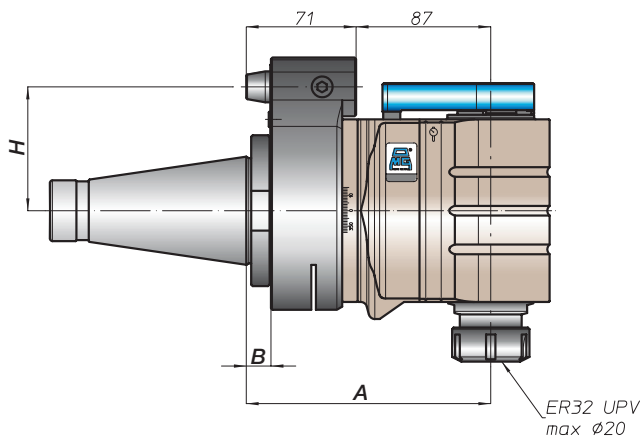
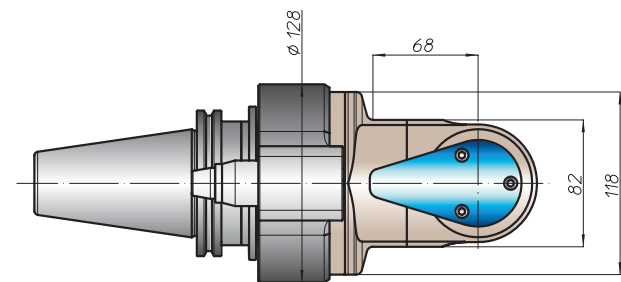
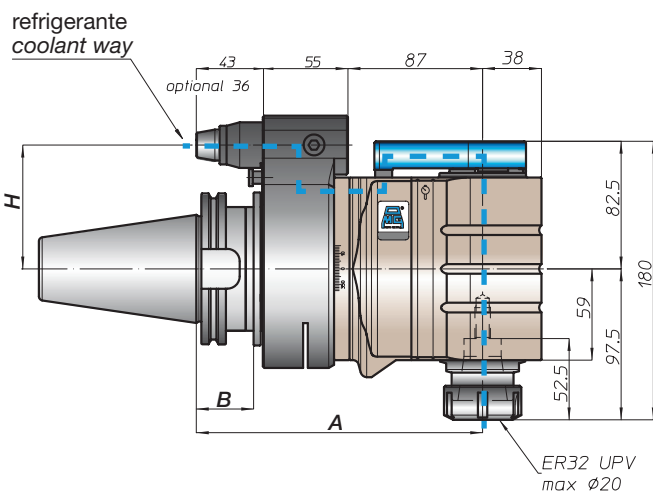
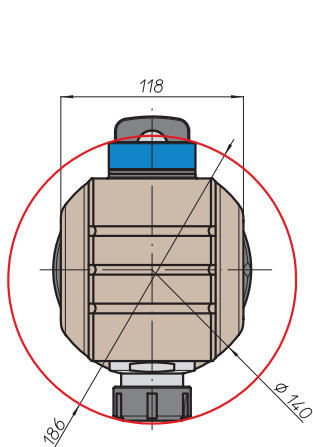
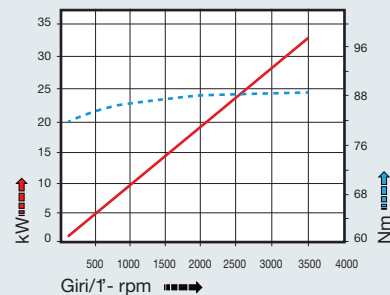


input



output

prestazioni/performance



CONO SHANK	size	H			
		A	B	standard	optional
DIN69871 *	-	-	-	-	-
45	-	-	-	80	110
50	185	35	-	-	-
ANSI B5.50 *	-	-	-	80	110
50	-	-	-	80	110
BT *	-	-	-	-	-
50	193	45	80	110	
HSK	-	-	-	-	-
DIN69893	80	194	-	80	110
100	-	46	80	110	
CAPTO	-	-	-	-	-
ISO26623	-	189	-	80	110
C8	-	-	80	110	
KM	-	-	-	-	-
80	185	-	80	110	
100	-	-	80	110	
DIN2080	-	-	-	-	-
-	-	-	-	-	-
-	158	16	80	110	
50	-	-	-	-	
NMTB	-	-	-	-	-
ANSI B5.18	50	158	16	80	110

\* Option: Dual Contact



# TA26.PD

caratteristiche/features

peso/weight

prestazioni/performance



22 kg

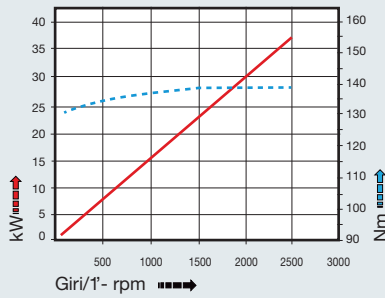
rotazione/rotation



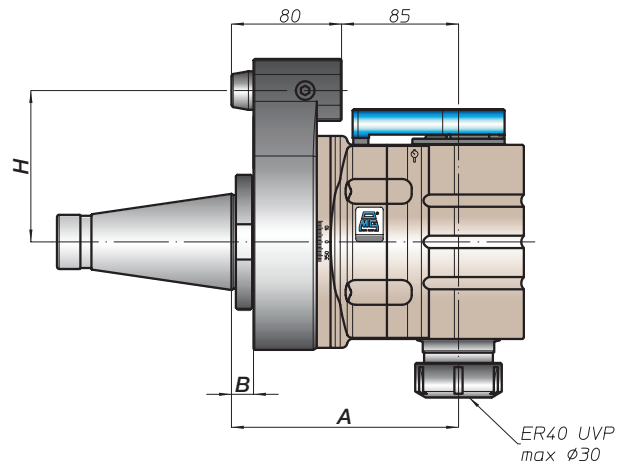
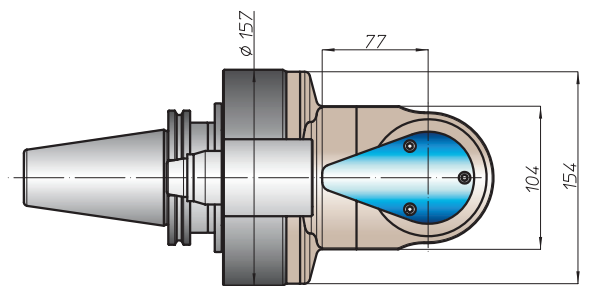
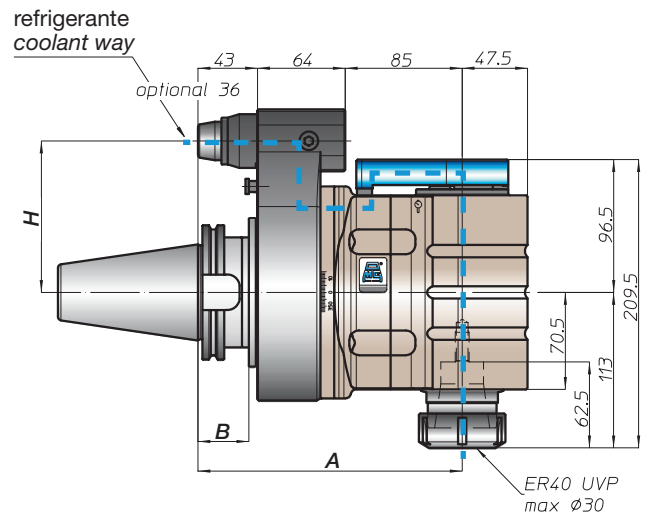
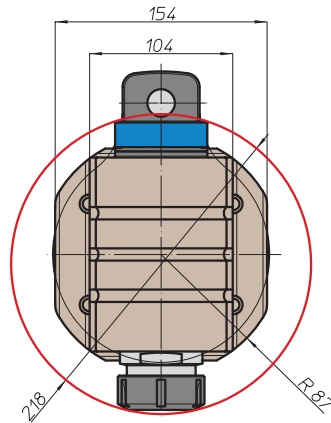
input



output



CONO SHANK	size	A	B	H	
				standard	optional
DIN9871 *	-	192	35	-	-
	45			110	-
ANSIB5.50 *	-	196	46	-	-
	50			110	-
BT *	-	200	45	110	-
	50			110	-
HSK	-	201	46	110	-
	80			110	-
CAPTO	-	196	46	110	-
	C8			110	-
KM	-	192	35	110	-
	100			110	-
DIN2080	-	165	16	110	-
	50			110	-
NMTB	-	165	16	110	-
	50			110	-



\* Option: Dual Contact



testa ad angolo - angle head

# TA26.40.D



caratteristiche/features



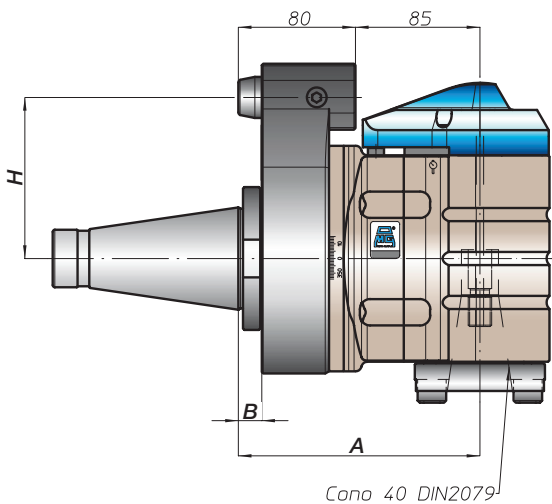
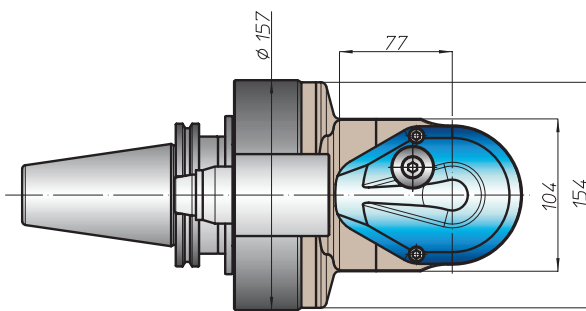
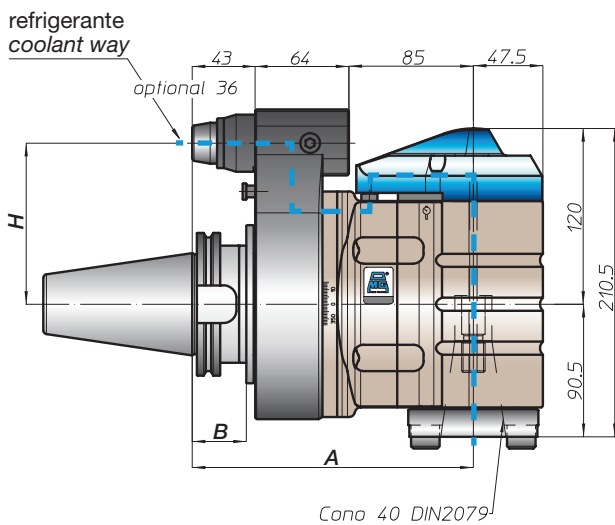
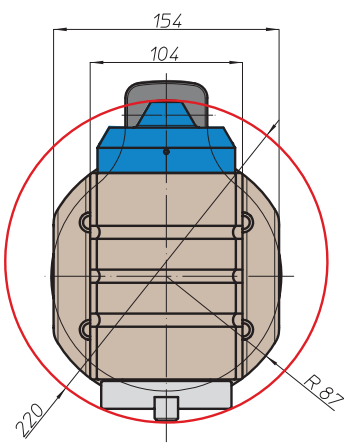
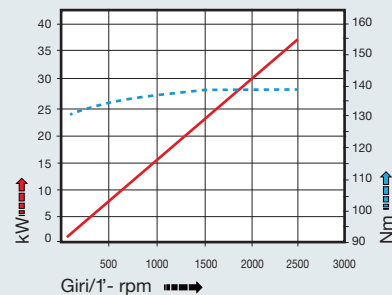
peso/weight



rotazione/rotation



prestazioni/performance



CONO SHANK	size	H			
		A	B	standard	optional
DIN69871 *	-	-	-	-	-
	45	-	-	110	-
	50	192	35	-	-
ANSIB5.50 *	CAT	-	-	-	-
	50	-	-	110	-
* BT	-	-	-	-	-
	50	200	45	110	-
HSK	-	-	-	-	-
DIN69893	80	-	-	110	-
	100	201	46	-	-
CAPTO	-	-	-	-	-
ISO26623	-	196	-	110	-
	C8	-	-	-	-
KM	-	-	-	-	-
	100	192	-	110	-
DIN2080	-	-	-	-	-
	50	165	16	110	-
ANSIB5.18 NMTB	-	-	-	-	-
	50	165	16	110	-

\* Option: Dual Contact

