

testa ad angolo - angle head

TA07.2P



caratteristiche/features



peso/weight

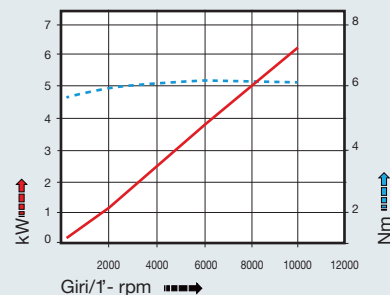


5 kg 7 kg

rotazione/rotation

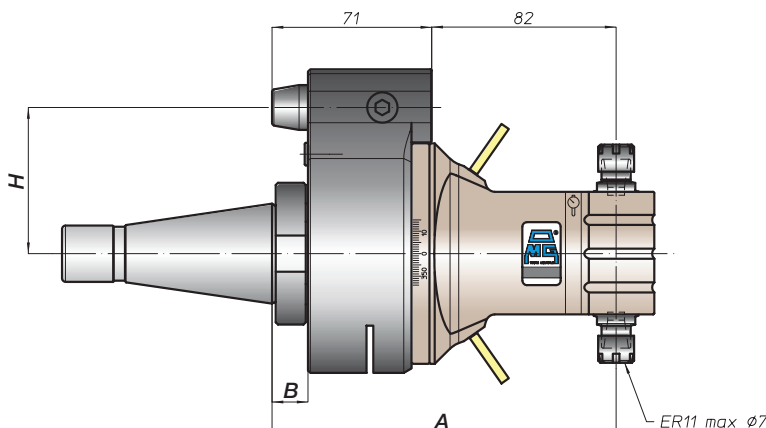
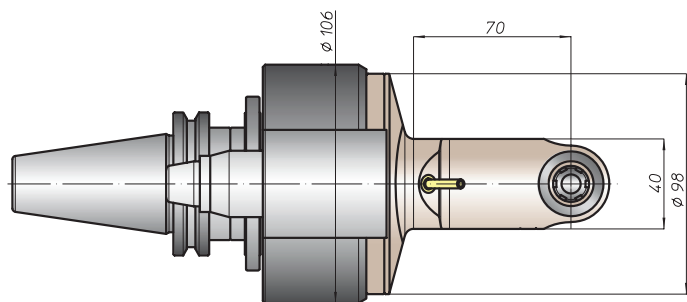
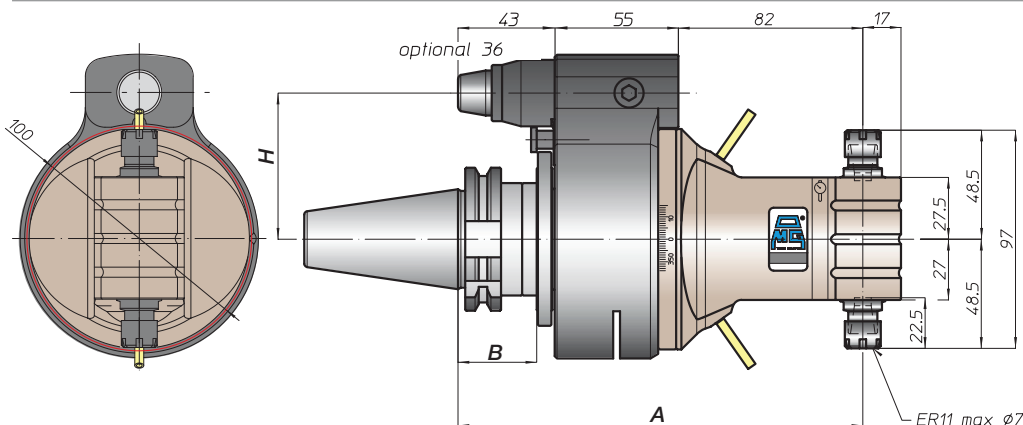


prestazioni/performance



tipi mandrino disponibili / available spindle types

3 Weldon Whistle-Notch
Ø10



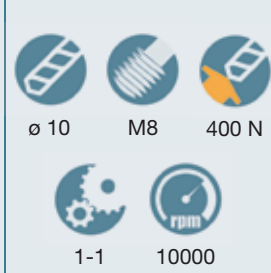
CONO SHANK	size	H			
		A	B	standard	optional
* DING9871	30			65	-
	40			80	110
	45			80	110
* CAT	40	180	35	65	-
	50			80	110
* BT	40			65	
	50	188	45	80	110
DING9893	63		44	65	
	80	189		80	110
	100		46	80	110
ISO26623	C5			65	
	C6	184	39		
	C8			80	110
KM	63			65	
	80	180		80	110
	100			80	110
DIN2080	-	150	13	65	-
	40			80	110
ANSIB5.18	-	153	16	80	110
	50			80	110
NMTB	40	150	13	65	-
	50	153	16	80	110

* Option: Dual Contact



TA10.2P

caratteristiche/features



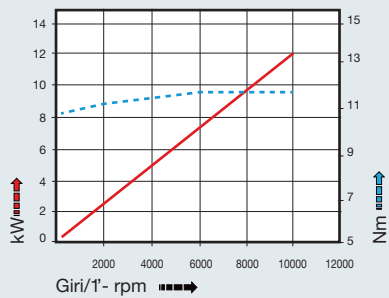
peso/weight



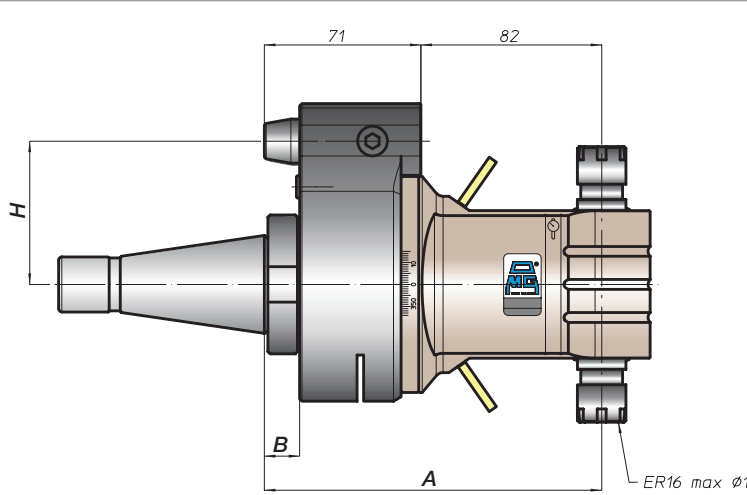
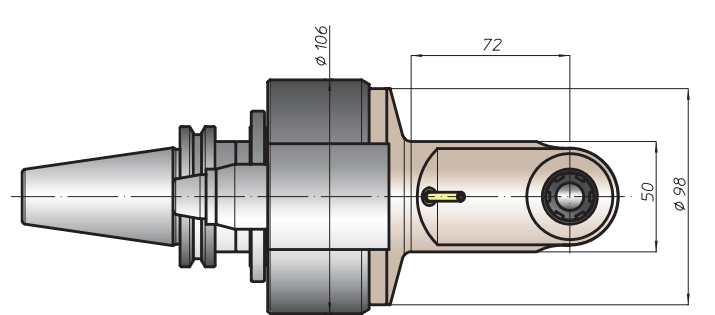
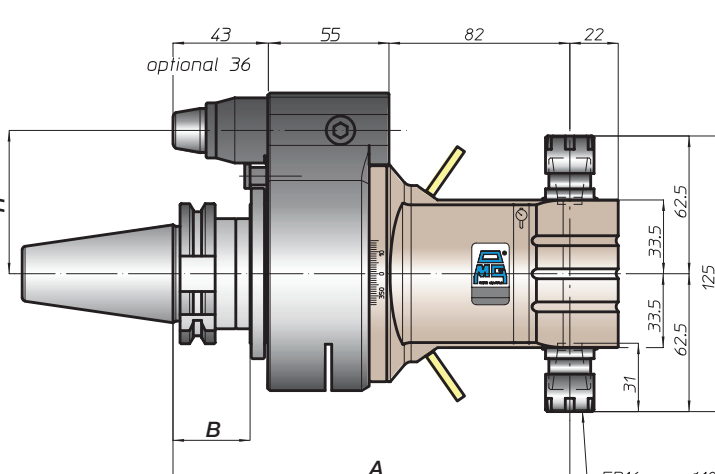
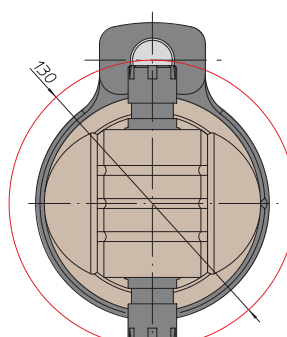
rotazione/rotation



prestazioni/performance



CONO SHANK	size	A	B	H		
				standard	optional	
DING9871 *	30	180	35	65	-	
	40			80	110	
	45			80	110	
	50			80	110	
ANSIB5.50 *	CAT			65	-	
				80	110	
* BT	40			65		
	50	188	45	80	110	
DING9893	HSK	63	44	65		
		80	46	80	110	
		100				
ISO26623	CAPT	C5		65		
		C6	184	39		
		C8		80	110	
KM	63	180		65		
	80			80	110	
	100					
DIN2080	-	150	13	65	-	
	40	153	16	80	110	
	-					
ANSIB5.18	NMTB	40	150	13	65	-
		50	153	16	80	110



* Option: Dual Contact



FH
BAH
TA.CP
TA
MOX
HT
VH
TSI/TSX
T
MT-TC-TC3
Accessori
Accessories
Appendice tecnica
Technical supplement

testa ad angolo - angle head





TA13.2P



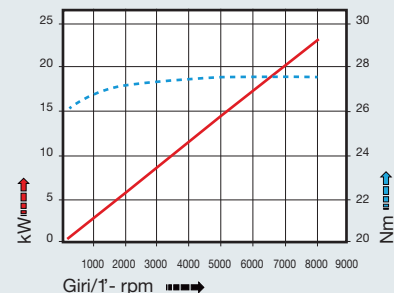
caratteristiche/features

 ϕ 13
  M10
  810 N
 1-1
  8000

peso/weight

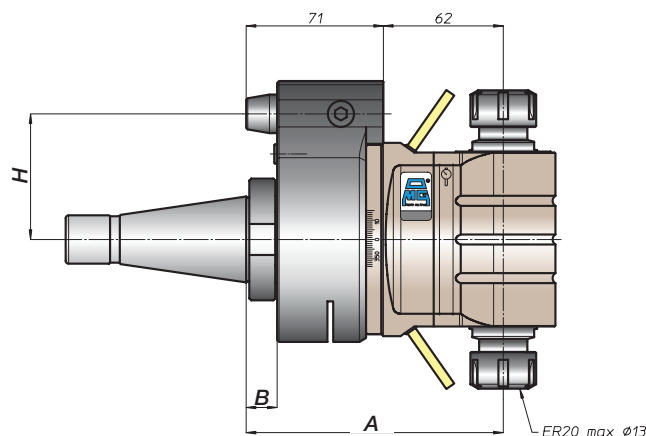
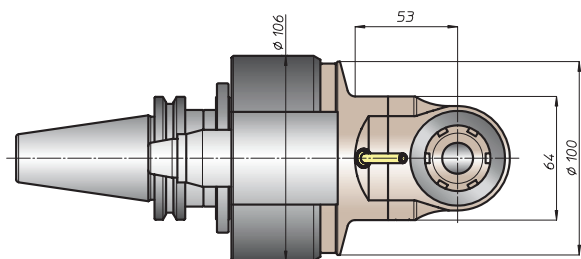
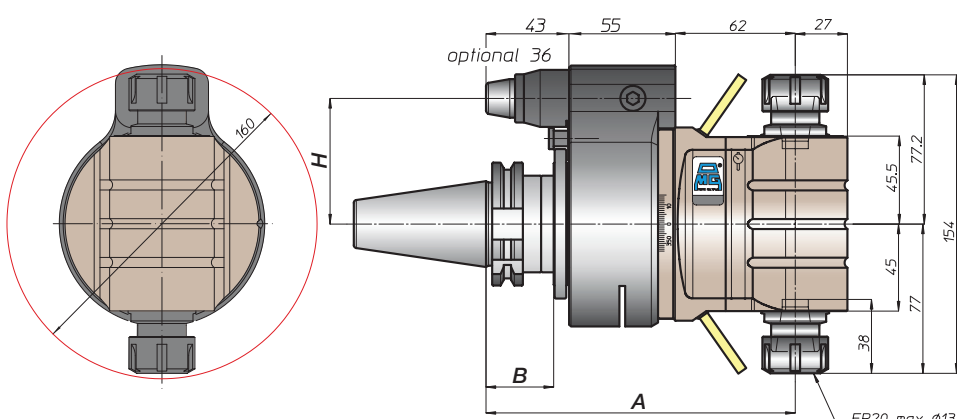
 40
  50
 6,5 kg 9 kg
 rotazione/rotation
 IN
  OUT

prestazioni/performance



tipi mandrino disponibili / available spindle types

1 DIN6499-ER
ER25



CONO SHANK	size	H			
		A	B	standard	optional
* DIN69871	-			65	-
	40	160	35	80	110
	45				
50					
* CAT ANSIB5.50	40			65	-
	50			80	110
* BT	40			65	
	50	168	45	80	110
HSK DIN69893	63		44	65	
	80	169		80	110
	100		46	80	110
CAPTO ISO26623	C5			65	
	C6	164	39		
	C8			80	110
KM	63			65	
	80	160		80	110
	100				
DIN2080	-	130	13	65	-
	40				
ANSIB5.18 NMTB	-	133	16	80	110
	50				
ANSIB5.18 NMTB	40	130	13	65	-
	50	133	16	80	110

* Option: Dual Contact

FH
BAH
TA-CP
TA
MOX
HT
VH
TSI/TSX
T
MT-TC-TC3
Accessori
Accessories
Appendice tecnica
Technical supplement

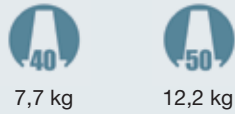


TA16.2P

caratteristiche/features



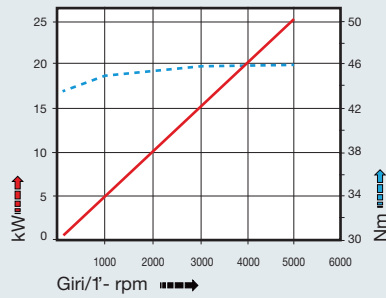
peso/weight



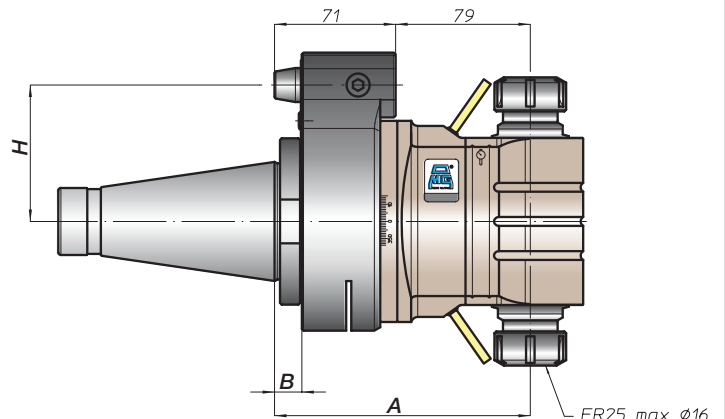
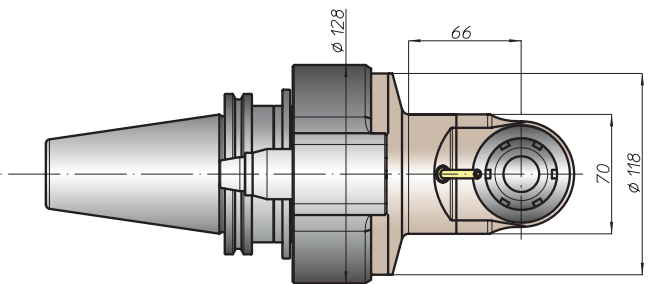
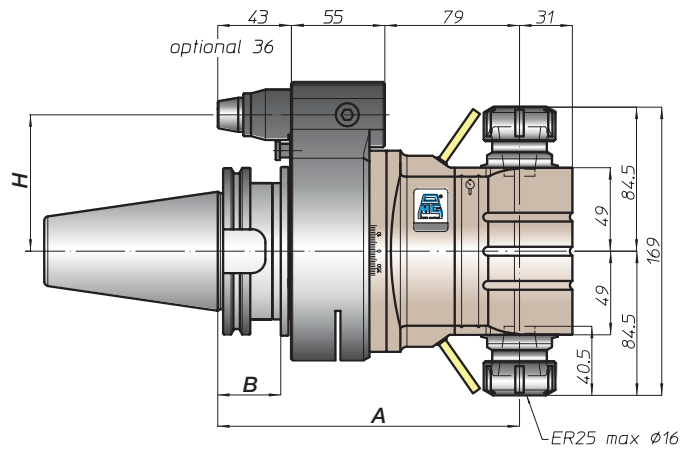
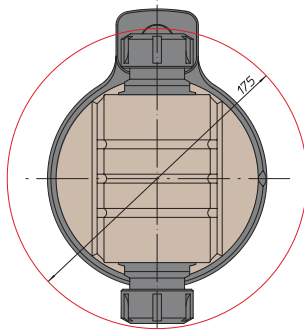
rotazione/rotation



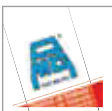
prestazioni/performance



CONO SHANK	size	A	B	H	
				standard	optional
DING9871 *	-	172	35	65	-
	40	177		80	110
	45			80	110
ANSIB5.50 * CAT	40	172	65	-	
	50	177	80	110	
* BT	40	172	65	-	
	50	185	45	80	110
HSK DING9893	63	181	44	65	-
	80	186	46	80	110
	100			80	110
CAPTO ISO26623	C5	176	39	65	-
	C6	181		80	110
	C8			80	110
KM	63	172	35	65	-
	80	177		80	110
	100			80	110
DIN2080	-	147	13	65	-
	40	150	16	80	110
	50			80	110
NMTB ANSIB5.18	40	142	13	65	-
	50	150	16	80	110



* Option: Dual Contact



TA20.2P



caratteristiche/features



peso/weight



15 kg

rotazione/rotation

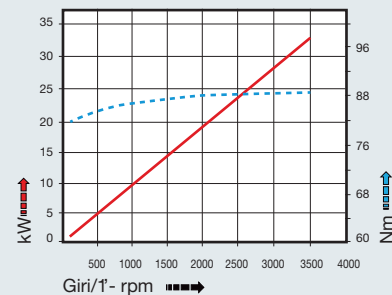


input



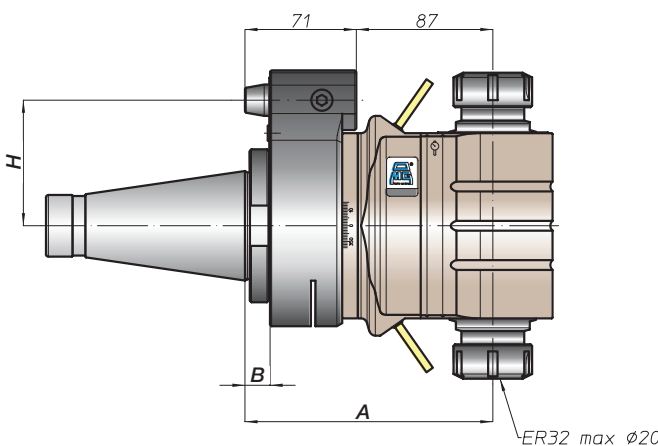
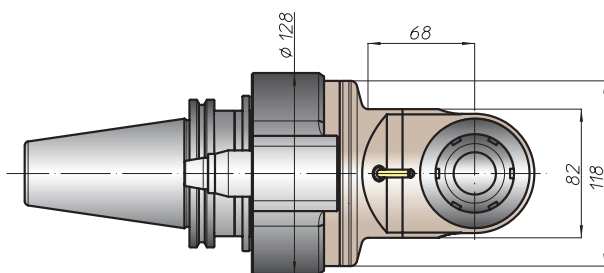
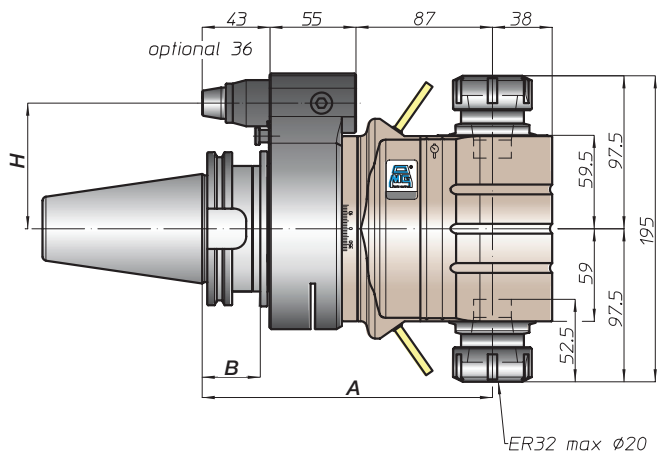
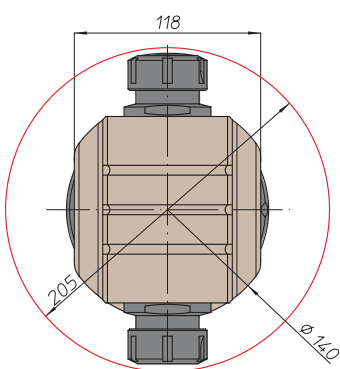
output

prestazioni/performance



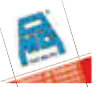
tipi mandrino disponibili / available spindle types

- 2** Albero portafrese / Milling shaft: Ø27-Ø32
- 3** Weldon Whistle-Notch: Ø20



CONO SHANK	size	H			
		A	B	standard	optional
DIN69871 *	-	-	-	-	-
DIN69871 *	45	-	-	80	110
DIN69871 *	50	185	35	80	110
ANSI B5.50 *	-	-	-	-	-
ANSI B5.50 *	50	-	-	80	110
BT *	-	-	-	-	-
BT *	50	193	45	80	110
HSK	-	-	-	-	-
DIN69893	80	194	-	80	110
DIN69893	100	-	46	80	110
CAPTO	-	-	-	-	-
ISO26623	-	189	-	80	110
ISO26623	C8	-	-	80	110
KM	-	-	-	-	-
KM	80	185	-	80	110
KM	100	-	-	80	110
DIN2080	-	-	-	-	-
DIN2080	-	-	-	-	-
DIN2080	50	158	16	80	110
NMTB	-	-	-	-	-
ANSI B5.18	50	158	16	80	110

* Option: Dual Contact



TA26.2P

caratteristiche/features



peso/weight



22,5 kg

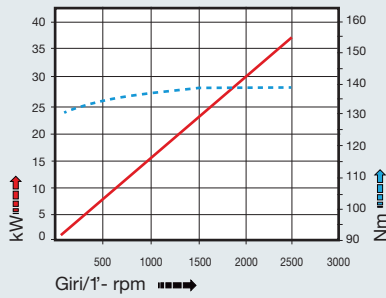
rotazione/rotation



input

output

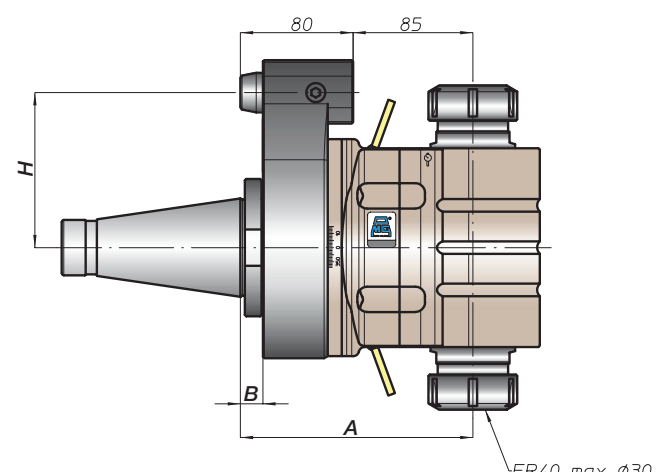
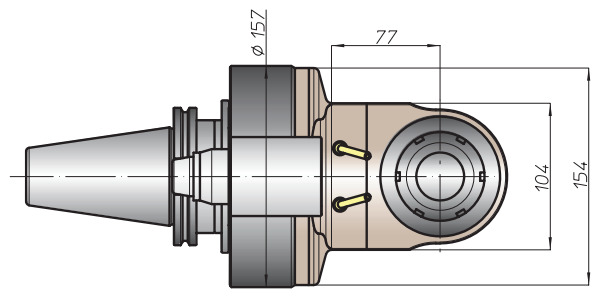
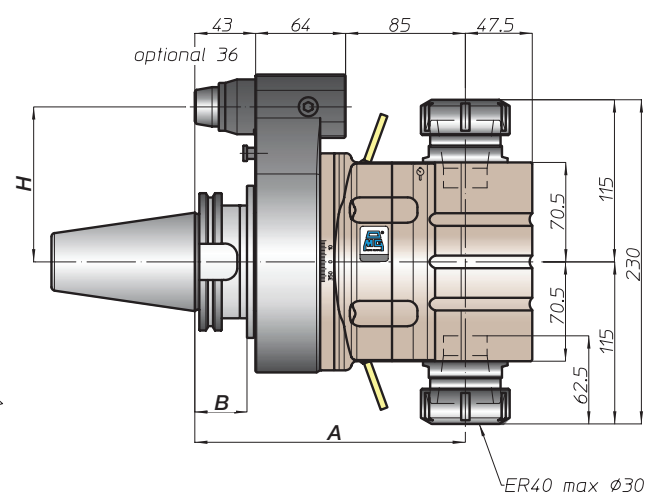
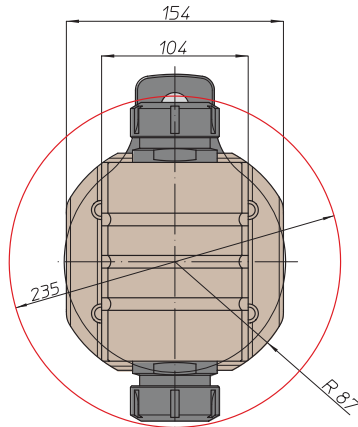
prestazioni/performance



CONO SHANK	size	A	B	H	
				standard	optional
DING9871 *	-	192	35	-	-
	45			110	-
ANSIB5.50 *	50	192	35	110	-
	50			110	-
BT *	50	200	45	110	-
	50			200	45
HSK	80	201	46	110	-
	100			110	-
CAPTO	-	196	-	-	-
	-			110	-
KM	-	192	-	-	-
	-			110	-
DIN2080	-	165	16	110	-
	50			110	-
NMTB	-	165	16	-	-
	50			110	-

tipi mandrino disponibili / available spindle types

- 2** Albero portafresa Milling shaft **3** Weldon Whistle-Notch **6** ABS Licenza KOMET®
- Ø16-Ø27-Ø32** **Ø32** **ABS50**



* Option: Dual Contact

FH
 BAH
 TA.CP
 TA
 MOX
 HT
 VH
 TSI/TSX
 T
 MT-TC-TC3
 Accessori
 Accessories
 Appendice tecnica
 Technical supplement